



Quick Lock - Deck Filler - User Manual



OSCULATI

Quick Lock deck fillers

AISI 316

Technical characteristics: 45° rotation snap lock, 7.7-mm projection, hidden screws, stainless steel check cable with spring, fuel and diesel versions with earthing cable, made of mirror-polished AISI 316 stainless steel, DIN standard symbols.

REGISTERED DESIGN / DISEGNO DEPOSITATO

Code	Type	Version	Neck Ø mm	Outer Ø mm	Neck height in mm	With key
20.366.01	FUEL	straight	50	94	81.9	20.366.21
20.366.02	WATER	straight	38	94	82.5	20.366.22
20.366.03	Diesel	straight	50	94	81.9	20.366.23
20.366.04	FUEL	straight	38	94	82.5	20.366.24
20.366.05	WASTE	straight	38	94	82.5	-
20.366.06 New	Diesel	straight	38	94	82.5	-
20.366.09*	WASTE	straight	38	94	82.5	-
20.366.11	FUEL	30°	50	94	96	20.366.31
20.366.12	WATER	30°	38	94	92	20.366.32
20.366.13	Diesel	30°	50	94	96	20.366.33
20.366.14	FUEL	30°	38	94	92	20.366.34
20.366.15	WASTE	30°	38	94	92	-
20.366.16 New	Diesel	30°	38	94	92	-

*In compliance with ISO 8099, long neck, screw thread (no chain)

20.366.98 Spare key.

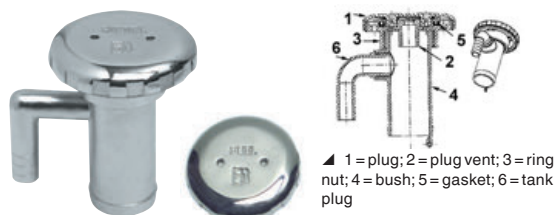


OSCULATI

Mirror polished AISI 316 stainless steel refuel plugs, fitted with built-in vent

Fitted with special clever system, the plug neck can be mounted on the deck with just one hole

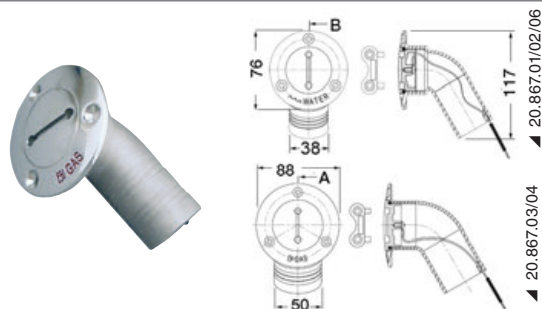
Code	Type	Neck Ø mm	Mounting hole Ø mm	Vent Ø mm	Cap Ø mm	Overhang mm	Locking ring Ø mm
20.565.01	FUEL	38	50	16	82	14	74
20.565.02	WATER	38	50	16	82	14	74
20.565.03	Diesel	38	50	16	82	14	74
20.565.05	Diesel	50	50	16	82	14	74



Flush-mount deck filler

Mirror polished AISI316 stainless steel deck fillers, fitted with 30° elbow. Plug opening with universal key type 20.169.90.

Code	Type	Neck Ø mm	Flange Ø mm
20.867.01	FUEL	38	76
20.867.02	WATER	38	76
20.867.03	FUEL	50	88
20.867.04	Diesel	50	88
20.867.06	WASTE	38	76



Anti-theft device for filler plugs

Made of polished AISI 316 stainless steel, it fits all plugs on the market and can be installed without removing the existing plug by simply loosening the fastening screws.

Code	Type
20.569.01	GAS
20.569.02	Diesel

