



MUIR SINCE 1968

Storm 3500

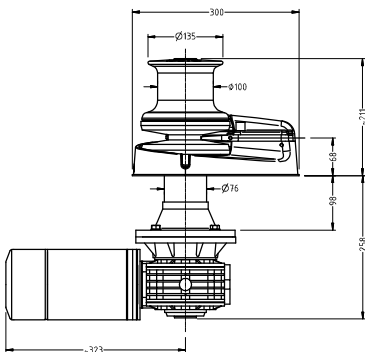
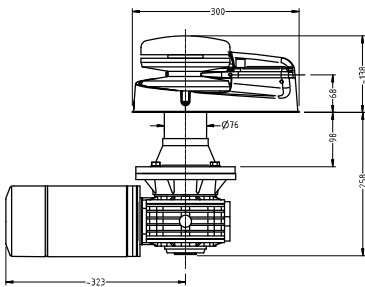
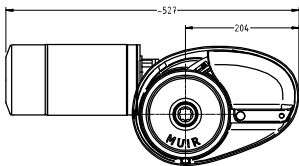
STAINLESS



VR3500



VRC3500



Model	VR/VRC3500	
VESSEL LENGTH	15 - 24m 48 - 77ft	
POWER SUPPLY (DC)	12/24V	AC Electric available
MOTOR (Watts)	1500	
HYDRAULIC PRESSURE	10MPa 1450PSI	
HYDRAULIC FLOW	28L/min 7.5gal/min	
MAX LOAD	1590kg 3500lb	
WORK LOAD	397kg 875lb	
AMPS WORK LOAD	150/85	
MAX LINE SPEED	13.5m/min 44ft/min	
CHAIN SIZE	8 - 10 - 13mm (chain only) 5/16 - 3/8 - 1/2"	
ROPE SIZE	14 - 16 - 19mm 9/16 - 5/8 - 3/4"	
NET WEIGHT	DC VR 42kg VRC 46kg HYD VR 38kg VRC 42kg DC VR 92lb VRC 101lb HYD VR 84lb VRC 92lb	
MANUAL OPERATION	MORS (opt)	MOS (opt)

Features

- Rope chain combination gypsy for rope and chain combination or chain only
- Quick release integrated swivel chain pipe cover
- Gypsy with capstan (VRC) or gypsy with low profile clutch top arrangement (VR)
- Heavy duty marine grade, dual direction motor in 12 & 24V DC, hydraulic & AC
- Polished Stainless steel components
- Independent gypsy and capstan operation
- Capstan model features heavy duty fluted finish for increased grip
- Self aligning gearbox/adaptor
- Stainless steel shaft
- Cone clutch/brake
- Stainless steel mounting bolts
- Shaft seal
- Lubricating grease nipple
- Clutch release handle
- Rope Chain Management System (RCMS)



Options

- Round base VR/VRC model (chain only)
- AC electric motor available
- Mirror image models available
- Manual Override System (MORS)
- Manual Operation System (MOS)
- Traditional polished bronze finish
- Extra deck clearance kit for any deck thickness
- Full range of accessories including chain, rope, anchors, anchor roller, chain stoppers, snubber kits & devil claws
- Electric & hydraulic operating options & accessories
- Auto anchor



Round base
Muir Atlantic 3500