

# **RC6, RC8 & RC10 Product Information**

## Preface

This document which covers the RC6, RC8 & RC10 range of windlasses is intended to assist customer services and service agents with identification of the RC windlasses and their components.

The drawings as included with the user manuals often do not list every part of the windlass, some components are only available as assemblies

e.g. The clutch cone on the RC8 is pressed onto the shaft with a hydraulic press therefore not suitable for replacement individually, a shaft assembly must be fitted and only this assembly is listed in the user manual.

To assist with identification of parts this, document includes both the exploded views as included in the user manuals (at time of publishing) and also full exploded view diagrams which list each individual component. Furthermore drawings showing the individual components of available kits is included. In all cases the same item numbers are used i.e. item #21 of the user manual is item #21 in the full listing and item #21 in the Kit drawings.

The Bill Of Materials table for the full part listing exploded views can be used to cross reference which components are included in each kit e.g. customer wants item #37 for a RC8 but none are in stock, using the table we can see this component is also used in the P101660 kit which may be in stock.

Furthermore at the beginning of each section there are notes pertaining to the product including what changes have been made to components, the product features and product specifications.

Further reference documents have been or are being written, I am here to assist with all Power and Sail queries so please don't hesitate to ask.

Any comments or questions regarding this or other documents can be emailed to

Gavinb@VETUS-MAXWELL.com

Regards

Gavin Barton

## Contents

Page 2 – Specifications

Page 3 – Dimensions

Page 5 – RC6



Page 15 – RC8

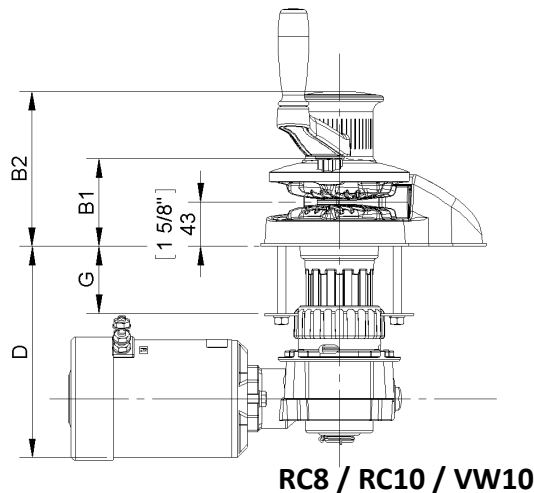
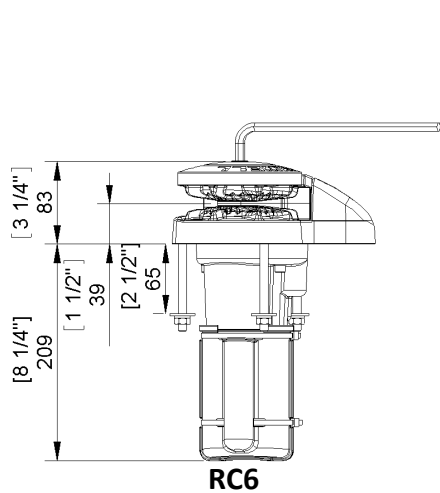
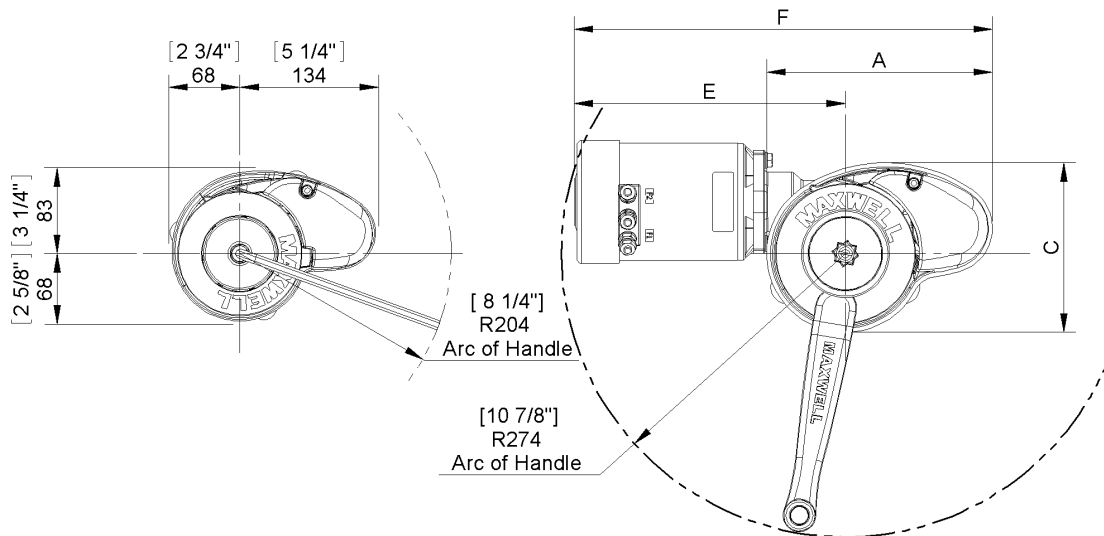


Page 25 – RC10



## Specifications

Electric Motor	: Direct Current motor	
Voltage	: 12V DC or 24V DC	
Rated Output	: RC6: 500W Permanent Magnet (SP4189 12V)(SP4190 24V)	
	: RC8-6: 600W Permanent Magnet (P10068 12V)(P10069 24V)	
	: RC8-8: 1000W Series Wound (P12072 12V)( P12074 24V)	
	: RC10-8: 1000W Series Wound (P12072 12V)( P12074 24V)	
	: RC10-10: 1200W Series Wound (P12073 12V)( P12074 24V)	
	: VW10-8: 1000W Series Wound (P12072 12V)( P12074 24V)	
	: VW10-10: 1200W Series Wound (P12073 12V)( P12074 24V)	
Maximum Pull	: RC6: 350kg (770 lbs)	
	: RC8-6: 350kg (770 lbs)	
	: RC8-8: 600kg (1320 lbs)	
	: RC10-8: 700kg (1540 lbs)	
	: RC10-10: 850kg (1870 lbs)	
	: VW10-8: 700kg (1540 lbs)	
	: VW10-10: 850kg (1870 lbs)	
Haulage speed (Dependant on the load)	: RC6: 21-24 m/min 69-79 ft/min	
	: RC8-6: 24-29 m/min 79-92 ft/min	
	: RC8-8: 28-32 m/min 92-105 ft/min	
	: RC10-8: 20-24 m/min 65-79 ft/min	
	: RC10-10: 20-24 m/min 65-79 ft/min	
	: VW10-8: 20-24 m/min 65-79 ft/min	
	: VW10-10: 20-24 m/min 65-79 ft/min	
Rope size	: RC6: 12mm (1/2")	
	: RC8-6: 12mm (1/2")	
	: RC8-8: 14-16mm (9/16"-5/8")	
	: RC10-8: 14-16mm (9/16"-5/8")	
	: RC10-10: 16mm (5/8")	
	: VW10-8: 14-16mm (9/16"-5/8")	
	: VW10-10: 16mm (5/8")	
Chain size	: RC6: 6mm-7mm (1/4") short link	
	: RC8-6: 6mm-7mm (1/4") short link	
	: RC8-8: 8mm (5/16") short link	
	: RC10-8: 8mm (5/16") short link	
	: RC10-10: 10mm (3/8") short link	
	: VW10-8: 8mm (5/16") short link	
	: VW10-10: 10mm (3/8") short link	



	RC8-6		RC8-8		RC10		VW10	
	mm	in	mm	in	mm	in	mm	in
<b>A</b>	210	8 1/4	210	8 1/4	230	9 1/8	172	6 7/8
<b>B<sup>1</sup></b>	83	3 1/4	83	3 1/4	89	3 1/2	89	3 1/2
<b>B<sup>2</sup> (with capstan)</b>	146	5 1/4	146	5 3/4	168	6 5/8	168	6 5/8
<b>C</b>	156	6 1/8	156	6 1/8	170	6 3/4	140	5 5/8
<b>D (standard deck clearance)</b>	200	7 7/8	208	8 1/4	251	9 7/8	251	9 7/8
<b>D (special deck clearance)</b>	300	12	308	12 1/8	201	7 7/8	201	7 7/8
<b>E</b>	245	9 5/8	272	10 3/4	272	10 3/4	272	10 3/4
<b>F</b>	383	15	410	16 1/4	424	16 3/4	358	14 1/8
<b>G (standard deck clearance)</b>	65	2 1/2	65	2 1/2	100	4	100	4
<b>G (special deck clearance)</b>	165	6 1/2	165	6 1/2	50	2	50	2

**Release Date:** June 2009

**Product Changes:**

January 2010: Motor (#24,SP4189) flange diameter and mating face on gearbox reduced 0.5mm to improve fit.

October 2010: Final stage gear (#43,7058) material changed to improve strength.

January 2011: Stripper design (#8,7010) changed to improve operation with soft / loose ropes.

November 2012: Primary gearbox stage changed to helical cut gears to reduce noise levels. Item #37, 6161 changed to 7491 and Item#38, 7056 changed to 7492. Gears are retrofittable (as a pair).

**Product Features:**

Features	Benefit of Features
<b>Stainless steel deckplate.</b>	Corrosion free* durable deckplate
<b>Stainless steel Pressure Arm</b>	Break free
<b>Large chain pipe hole</b>	Reduced chance of jamming rode
<b>Patented wave design chainwheel</b>	Improved rode handling
<b>No disassembly needed for installation</b>	Easy to install
<b>One tool topworks disassembly</b>	Easy to maintain
<b>Product Specifications</b>	
<b>Model</b>	RC6 6, 7mm– 1/4"
<b>Maximum Pull</b>	300kg 660lbs
<b>Chain Short Link</b>	6mm 7mm 1/4"
<b>Rope Size</b>	12mm
<b>(3 strand or 8 plait)</b>	1/2"
<b>Chain Speed</b>	24m/min
<b>(Normal working load)</b>	79ft/min
<b>Rope Speed</b>	21m/min
<b>(Normal working load)</b>	69ft/min
<b>Power Supply (DC)</b>	12 or 24V
<b>Motor Power</b>	500W
<b>Net Weight (Electric)</b>	8.5kg 18.7lbs

**Options:**

Nylon insulating gasket for use with aluminium decks available (7319)

## RC6 – Rope Chain Windlass



Page 6 – Exploded view as shown in User Manual

Page 7 – Part listing as shown in User Manual

Page 8 – Exploded Top works (full part listing)

Page 9 – Exploded Bottom works (full part listing)

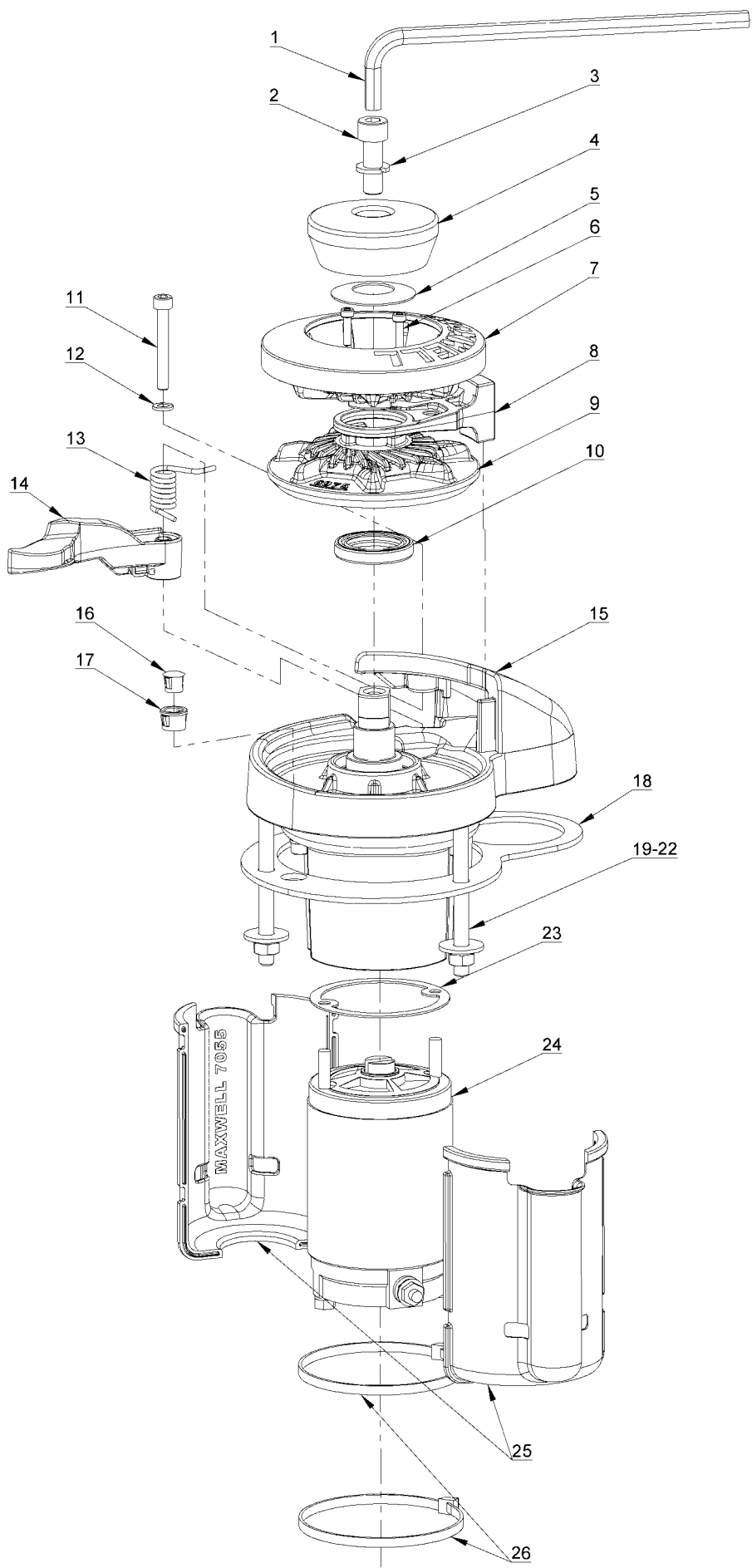
Page 10 –Part listing for Top works (full part listing)

Page 11 –Part listing for Bottom works (full part listing)

Page 12 –RC6 Kits

Page 13 –Deck Template

# Windlass Parts RC6 Model

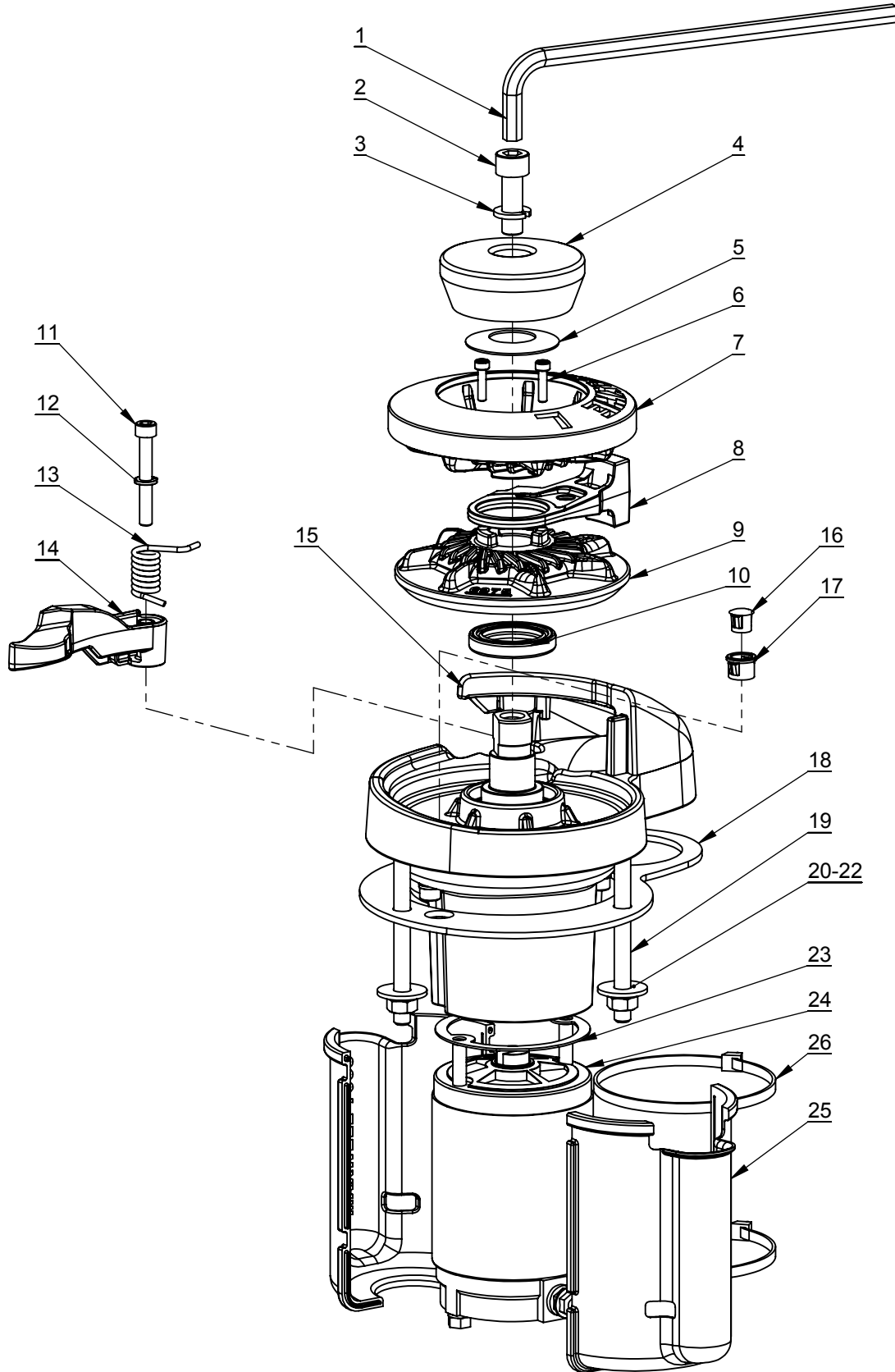




## Windlass Parts RC6 Model

Item no.	Component description	Qty	Part to order	Includes
1	Handle	1	SP3505	
2	Capscrew – M10 x 30	1	SP0169	
3	Spring washer – M10	1	SP0466	
4	Clutch cone	1	7061C	
5	Bellville washer	1	SP0484	
6	Cap Screws	2	SP4508	
7	Chainwheel - upper - 6mm-1/4"	1	P103314	6(x2),7,8,9
8	Stripper	1	7010	
9	Chainwheel - lower - 6mm-1/4"	1	P103314	6(x2),7,8,9
10	Oil Seal	1	SP2795	
11	Capscrew – M6 x 45	1	SP4501	
12	Spring washer – M6	1	SP0474	
13	Pressure Arm spring	1	7037	
14	Pressure Arm	1	7009	
15	Deckplate	1	P102569	New windlass
16	Plug	1	SP3519	
17	Bush	1	SP3518	
18	Gasket – Deck	1	7066	
19	Stud	3	4281	
20	Flat washer	3	P101667	20,21,22
21	Spring washer	3	P101667	20,21,22
22	Nut M8	3	P101667	20,21,22
23	Gasket – Motor	1	7063	
24	Motor – 12V	1	SP4189	
25	Motor cover	2	7055	
26	Cable tie	2	SP3527	
Not Shown	Replacement Brush kit for motor	1	SP2932	
Not Shown	Motor Gaskets	2	SP2931	

Rev.	Change	Made on	Des/Dwn	Checked
1.00	Initial Issue	26/09/08	PC/RP	PC Pg 8
2.00	Change to Helical cut 1st stage gears	01/10/12	PC	GB

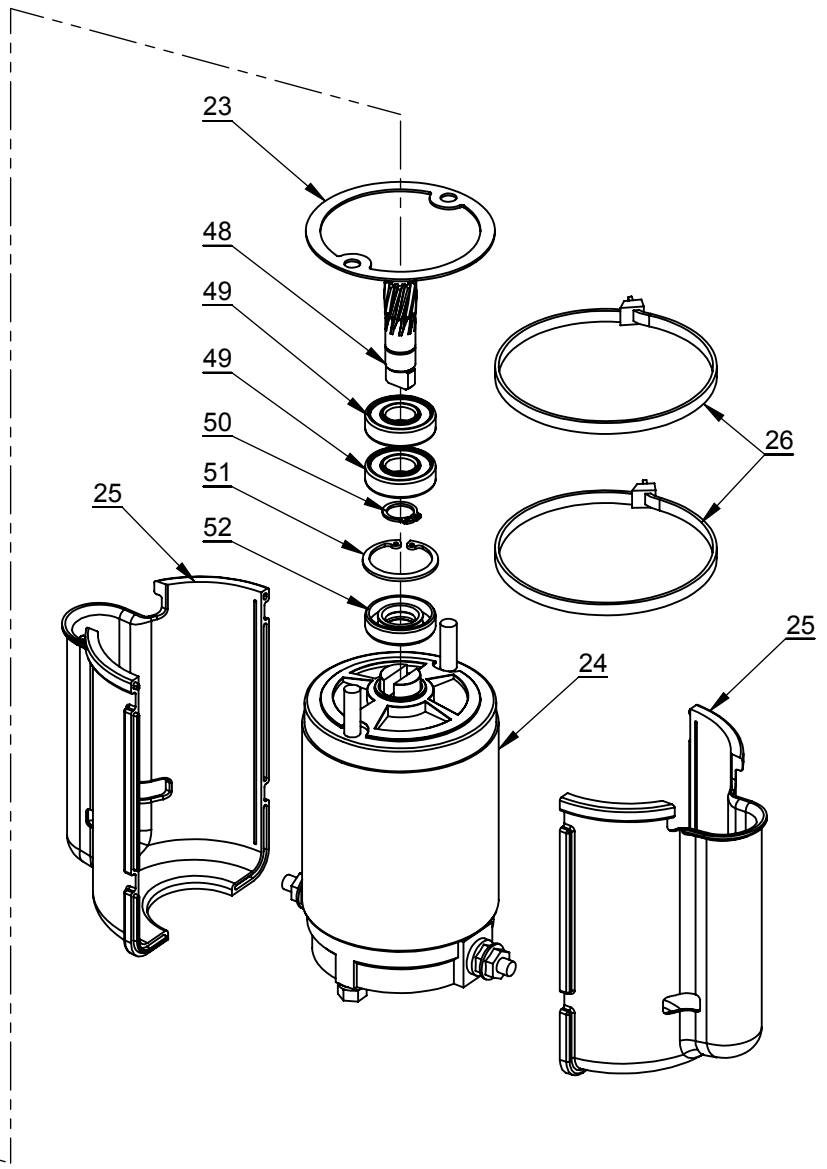
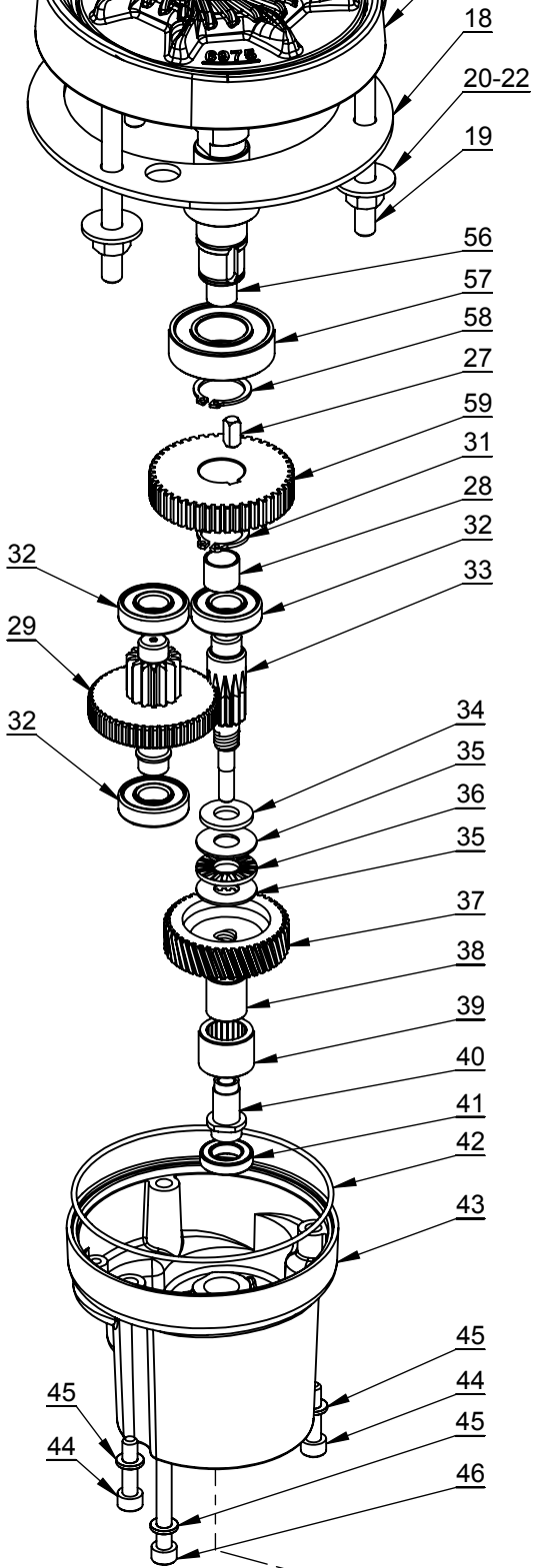


Description				Assy No.
RC6 12V				P102569
RC6 24V				P102570
Sht Size	Scale	Dwg Type	Sheet	Description
A4	1:3	DFTED	1 of 2	<b>RC6 Exploded Views</b>
				Pbv/Dwg No.
				<b>P102570</b>



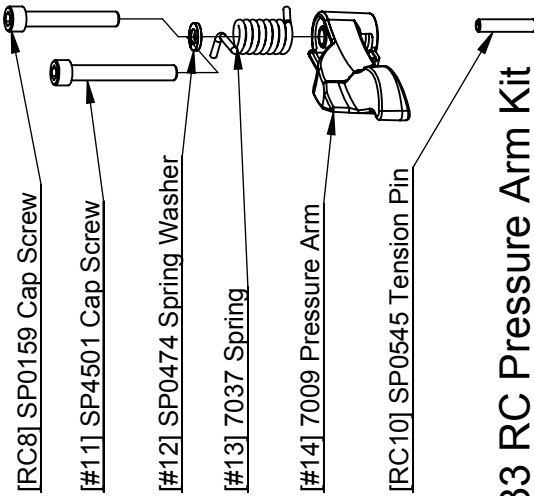
Rev.	Change	Made on	Des/Dwn	Checked
1.00	Initial Issue	26/09/08	PC/RP	PCPg10
2.00	Change to Helical cut 1st stage gears	01/10/12	PC	GB

See Topworks Exploded View (Pg1)

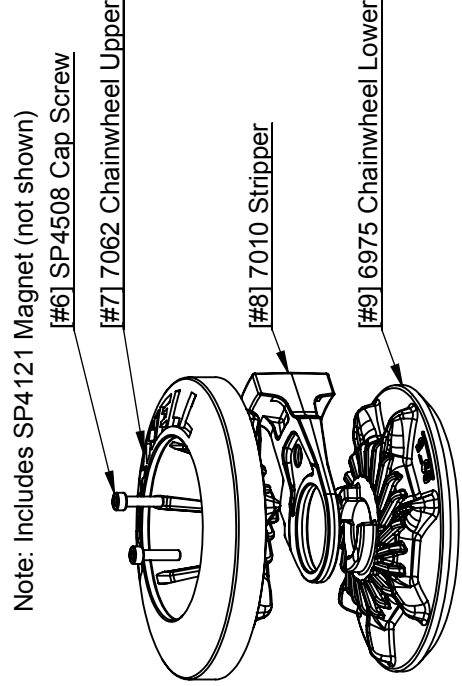


Description					Assy No.
RC6 12V					P102569
RC6 24V					P102570
Sht Size	Scale	Dwg Type	Sheet	Description	Pbv/Dwg No.
A4	1:3	DFTED	2 of 2	<b>RC6 Exploded Views</b>	<b>P102570</b>





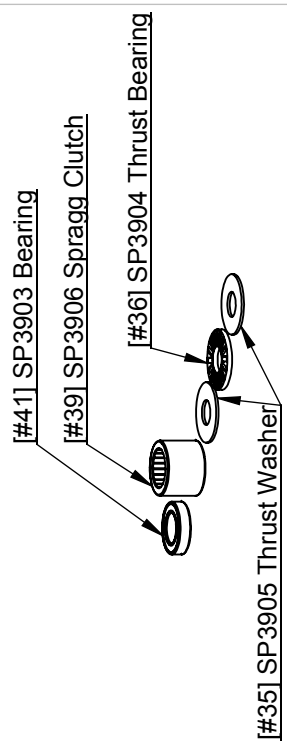
**P104733 RC Pressure Arm Kit**



**P103314 RC6 Chainwheel Assembly Kit**

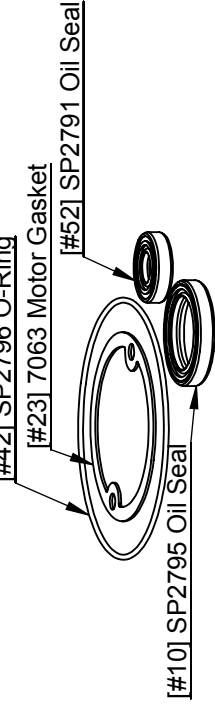
Note: Includes SP4121 Magnet (not shown)

- [RC8] SP0159 Cap Screw
- [#11] SP4501 Cap Screw
- [#12] SP0474 Spring Washer
- [#13] 7037 Spring
- [#14] 7009 Pressure Arm
- [RC10] SP0545 Tension Pin
- [#6] SP4508 Cap Screw
- [#7] 7062 Chainwheel Upper
- [#8] 7010 Stripper
- [#9] 6975 Chainwheel Lower



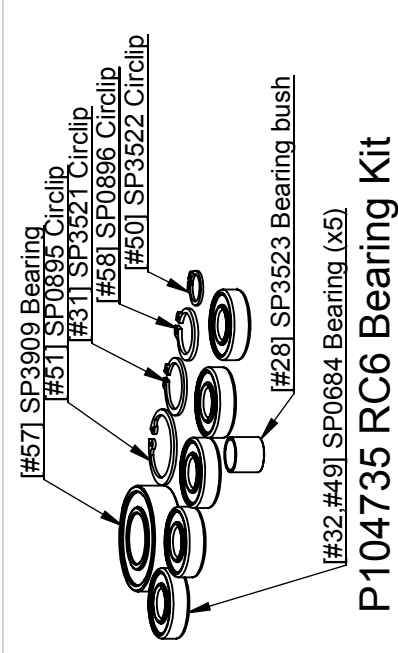
**P104736 Spragg Clutch Kit**

Note: Special tool required for removal and insertion of SP3906



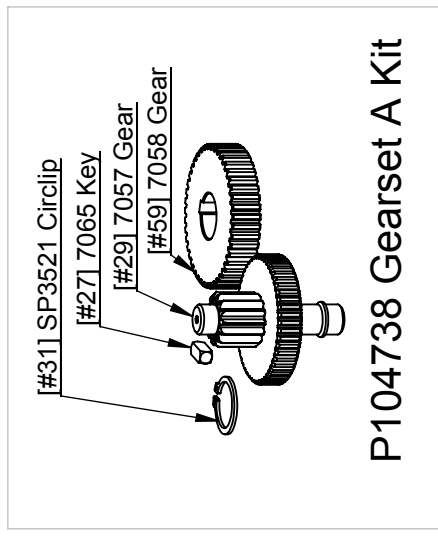
**P104737 RC6 Seal Kit**

- [#42] SP2796 O-Ring
- [#23] 7063 Motor Gasket
- [#52] SP2791 Oil Seal
- [#10] SP2795 Oil Seal



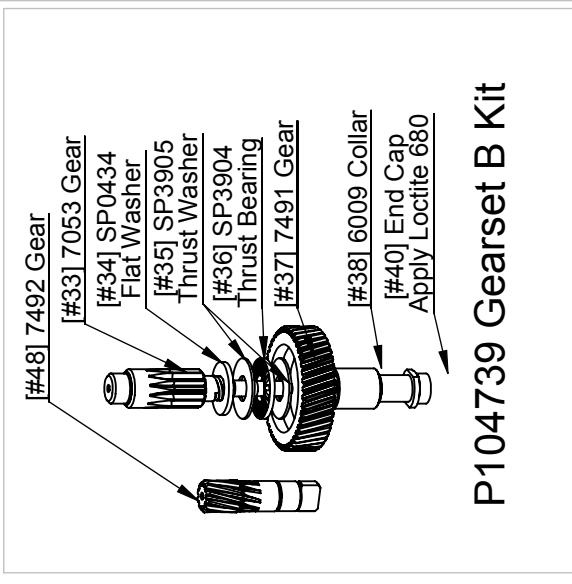
**P104735 RC6 Bearing Kit**

- [#32, #49] SP0684 Bearing (x5)
- [#28] SP3523 Bearing bush
- [#57] SP3909 Bearing
- [#51] SP0895 Circlip
- [#31] SP3521 Circlip
- [#58] SP0896 Circlip
- [#50] SP3522 Circlip



**P104738 Gearset A Kit**

- [#31] SP3521 Circlip
- [#27] 7065 Key
- [#29] 7057 Gear
- [#59] 7058 Gear



**P104739 Gearset B Kit**

- [#48] 7492 Gear
- [#33] 7053 Gear
- [#34] SP0434 Flat Washer
- [#35] SP3905 Thrust Washer
- [#36] SP3904 Thrust Bearing
- [#37] 7491 Gear
- [#38] 6009 Collar
- [#40] End Cap
- Apply Loctite 680

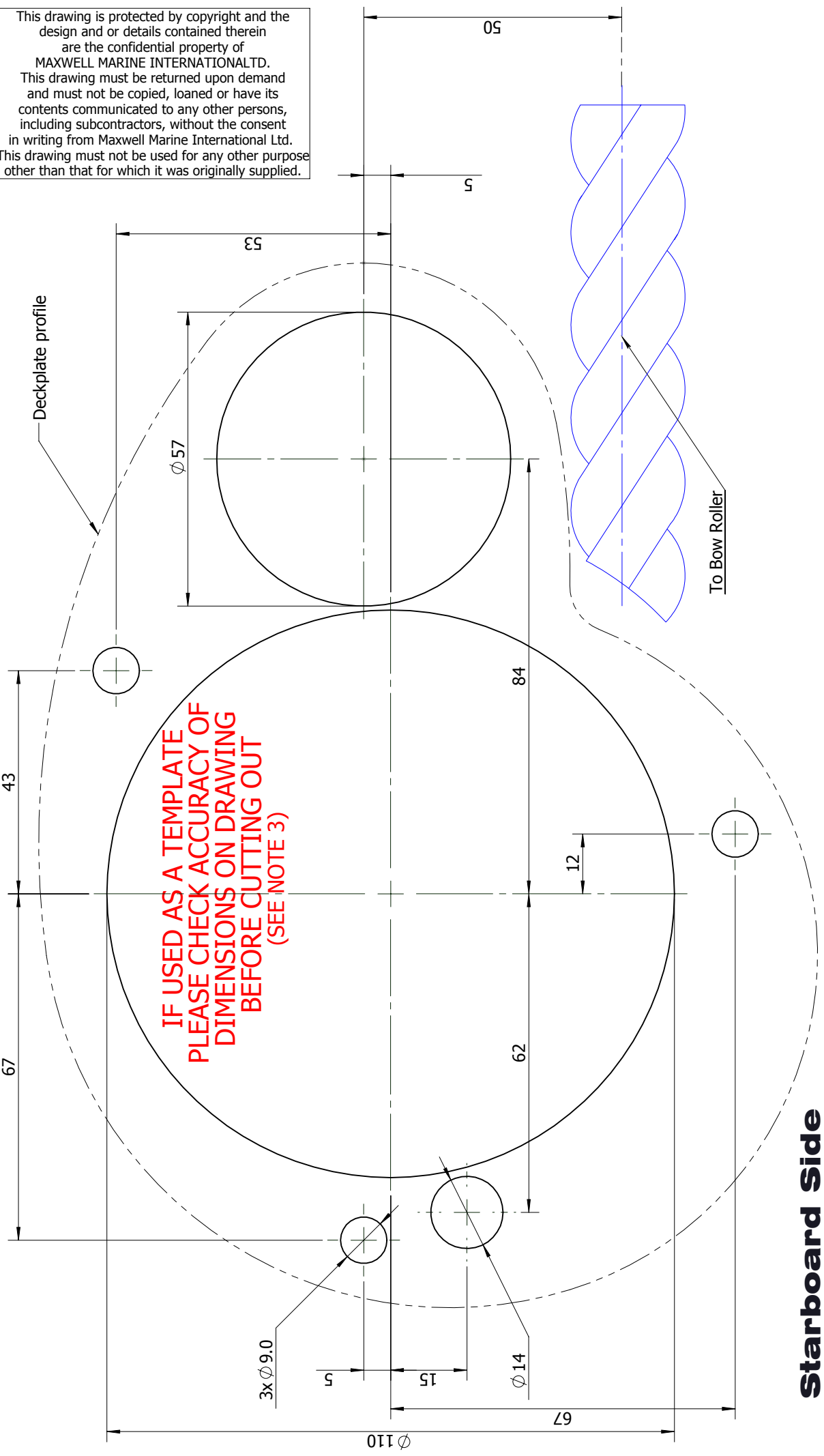
Description		Assy No.
RC6 Bearing Kit		P104735
Spragg Clutch Kit		P104736
RC6 Seal kit		P104737
RC6 Gearset A Kit		P104738
RC6 Gearset B Kit		P104739
RC6 Washer Nut Kit		P101667
RC6 6m Chainwheel Assembly Kit		P103314
Sheet Description		
Scale	Dwg Type	P102570
A4	DFTED	1 of 1
<b>RC6 Kits</b>		
P102570		
P102570		

Rev.	Change	Made on	Des/Dwn	Checked
1.00	Initial Kit Drawing iss ue	19/10/12	GB	PC

Rev.	1.00	Initial Issue	Change	Des/Drawn	Checked
				RP	PC
				23/02/09	

This drawing is protected by copyright and the design and or details contained therein are the confidential property of MAXWELL MARINE INTERNATIONALTD. This drawing must be returned upon demand and must not be copied, loaned or have its contents communicated to any other persons, including subcontractors, without the consent in writing from Maxwell Marine International Ltd. This drawing must not be used for any other purpose other than that for which it was originally supplied.

**Port Side**



**IF USED AS A TEMPLATE  
PLEASE CHECK ACCURACY OF  
DIMENSIONS ON DRAWING  
BEFORE CUTTING OUT  
(SEE NOTE 3)**

**Starboard Side**

Description:	Drawing No:	Revision No:
<b>Deck Cutout Template - RC6</b>	<b>7262</b>	<b>1.00</b>
Tolerances if none specified	Sheet Size	Sheet
0 DECIMAL (X) ± 0.5	A4	1 of 1
1 DECIMAL (X.X) ± 0.2	Scale	1 of 1
2 DECIMAL (X.XX) ± 0.1	1:1	PC
	ALL ANGLES ± 0.5°	
	SURFACE FINISH	

- Note:**
- BEFORE CUTTING DECK, CHECK ALL UNDERDECK CLEARANCES. READ & UNDERSTAND INSTALLATION INSTRUCTIONS CONTAINED WITHIN THE MANUAL.
  - CHECK YOUR MARKED OUT DIMENSIONS CAREFULLY. BEFORE CUTTING & DRILLING, DECK BOLT HOLES MUST BE DRILLED PARALLEL & SQUARE TO MOUNTING FACES.
  - MAXWELL MARINE IS NOT RESPONSIBLE FOR ANY INACCURATE DATA, DUE TO REPRODUCTION ERRORS OF FAX MACHINES, PRINTERS, PHOTOCOPIERS ETC.

**Release Date :** March 2009

**Product Changes :**

- October 2009: SP0443 Nylon flat washer under clutch nut replaced with SP0421 StSt flat washer
- February 2010: SP0421 StSt flat washer under clutch nut removed from assembly, material added to chainwheel to compensate.  
Fasteners holding chainwheel together changed from 2x M4 to 2 x M5.  
Drain slot added to deckplate insert (#28,7008) and rope groove made shallower to better direct rope/chain into center of chainwheel.
- January 2011: Stripper(#9,7010) design changed to improve operation with soft / loose ropes.

**Product features:**

Features		Benefit of Features
<b>Stainless steel deckplate.</b>		Corrosion free* durable deckplate
<b>Stainless steel Pressure Arm</b>		Break free
<b>Large chain pipe hole</b>		Reduced chance of jamming rode
<b>Patented wave design chainwheel</b>		Improved rode handling
<b>Bolt in replacement for Freedom</b>		Identical bolt pattern to Freedom (chain pipe hole may need to be enlarged)
<b>Product Specifications</b>		
<b>Model</b>	RC8 - 6mm/7mm - 1/4	RC8 8mm - 5/16"
<b>Maximum Pull</b>	350kg 770lbs	600kg 1320lbs
<b>Chain Short Link</b>	6mm/7mm 1/4"	8mm 5/16"
<b>Rope Size (3 strand or 8 plait)</b>	12mm 1/2"	14mm-16mm 9/16"- 5/8"
<b>Chain Speed (Normal working load)</b>	29m/min 92ft/min	32m/min 105ft/min
<b>Rope Speed (Normal working load)</b>	24m/min 79ft/min	28m/min 92ft/min
<b>Power Supply (DC)</b>	12 or 24V	12 or 24V
<b>Motor Power</b>	600W	1000W
<b>Net Weight (Electric)</b>	12.5kg 27.5lbs	16.5kg 36.3lbs

**Options:**

- Extra Deck clearance option giving additional 100mm of deck clearance.
- Nylon insulating gasket for use with aluminium hulls available (7320)
- Stainless steel plate to cover the holes left by a Freedom 'Performance plate' are available (7307)



## RC8 – Rope Chain Windlass



Page 16 – Exploded view as shown in User Manual

Page 17 – Part listing as shown in User Manual

Page 18 – Exploded View (full part listing)

Page 19 – Part listing (full part listing)

Page 20 – Kits

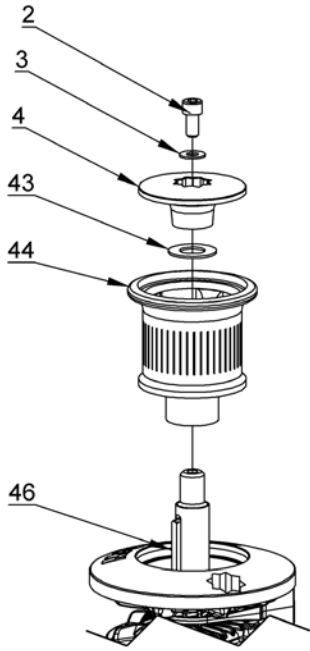
Page 21 – Kits (Deckplate assembly)

Page 22 – Kits (Capstan conversion)

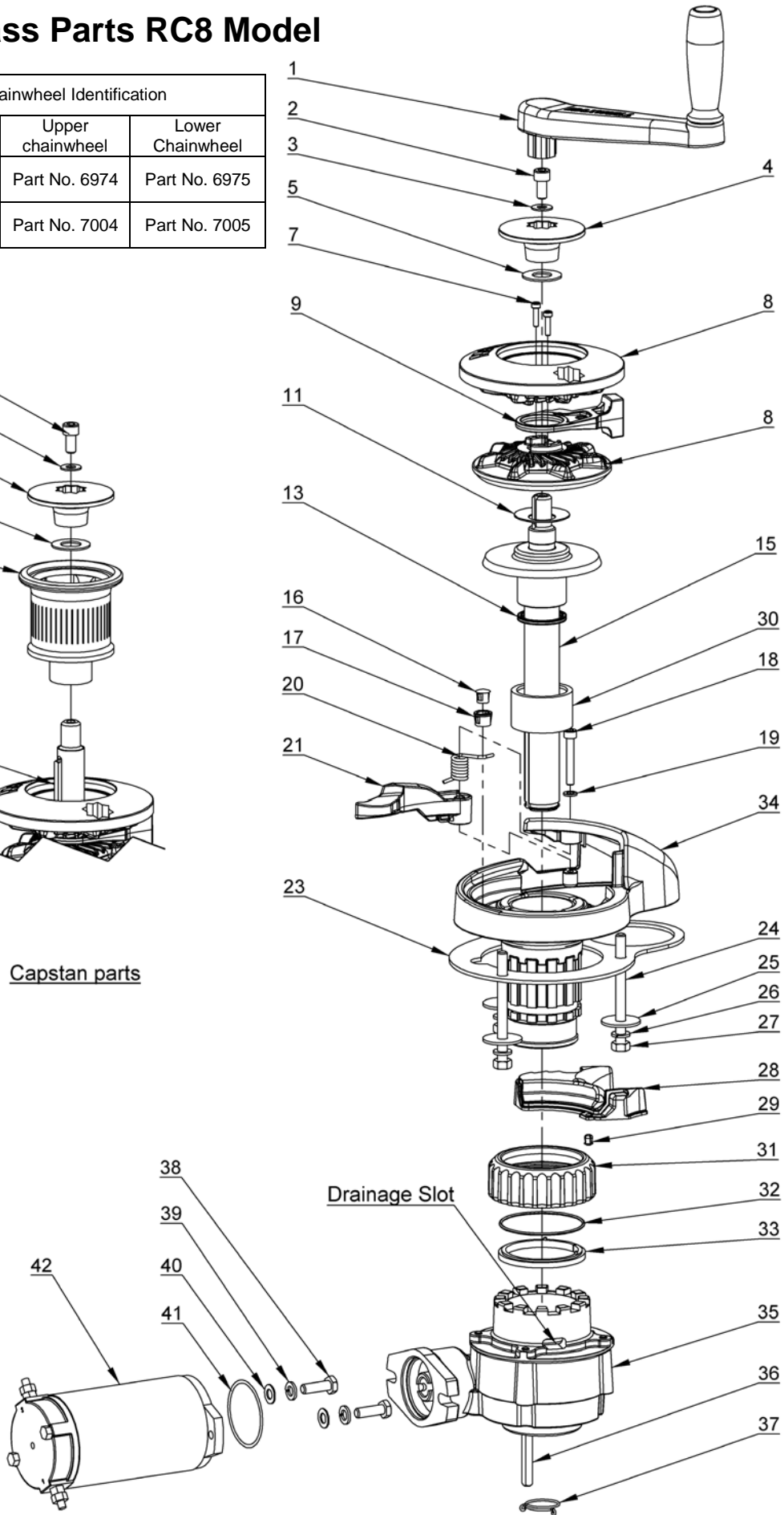
Page 23 – Deck Template

# Windlass Parts RC8 Model

Chainwheel Identification		
	Upper chainwheel	Lower Chainwheel
6mm Chainwheel	Part No. 6974	Part No. 6975
8mm Chainwheel	Part No. 7004	Part No. 7005



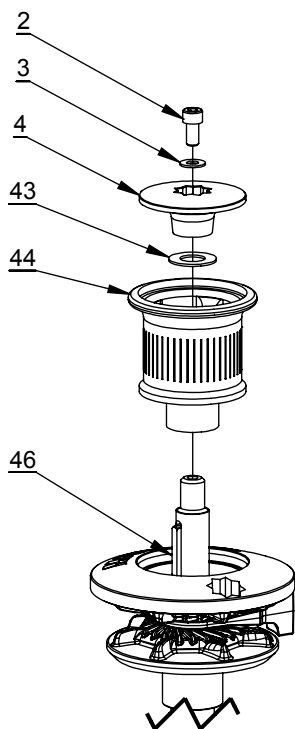
Capstan parts



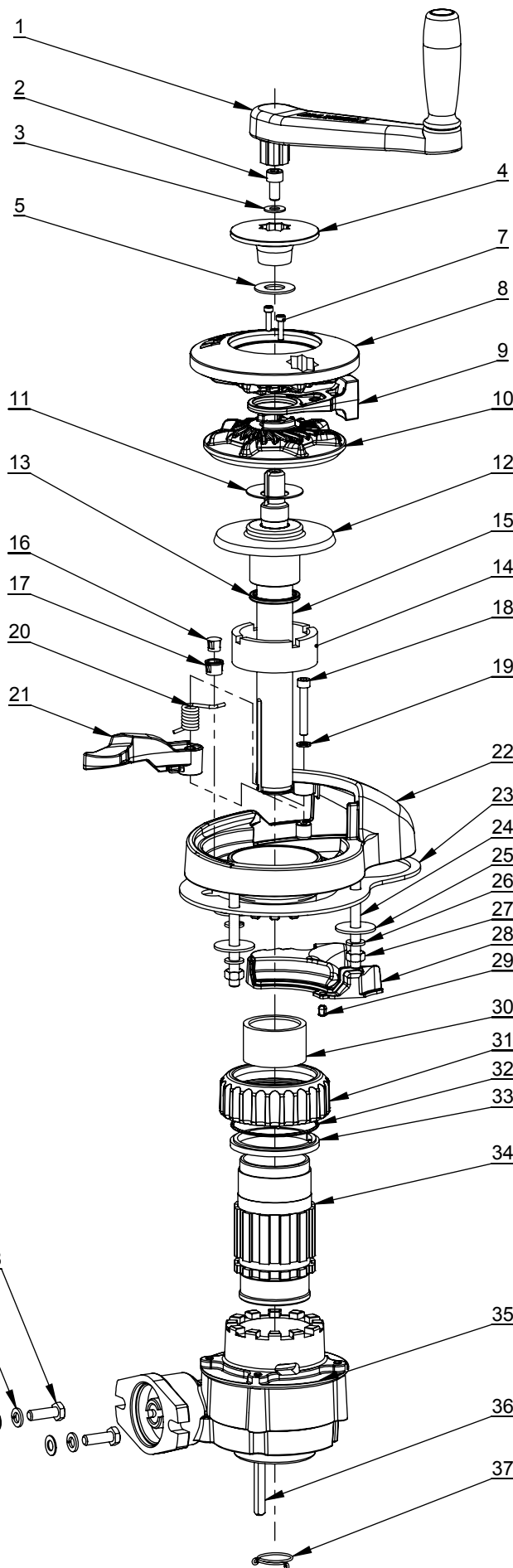
## Windlass Parts RC8 Model

Item no.	Component description	Qty	Part to order	Includes
1	Handle	1	P103864	
2	Cap Screw - M8 x 16	1	SP4505	
3	Washer	1	SP0428	
4	Clutch Nut	1	4376C	
5	Tab washer	1	4220	
7	Cap Screw	2	SP0178	
8	Chainwheel - 6-7mm-1/4"	1	P103310	7(x2),8,9
	Chainwheel - 8mm-5/16"	1	P103311	7(x2),8,9
9	Stripper	1	7010	
11	Belleville washer	1	SP0484	
13	Quad Ring	1	SP2758	
15	Shaft – 65 TDC	1	P100016	13,15
	Shaft – 65 TDC - Capstan	1	P100017	13,15
	Shaft – 165 TDC	1	P100047	13,15
	Shaft – 165 TDC - Capstan	1	P100048	13,15
16	Plug	1	SP3519	
17	Bush	1	SP3518	
18	Cap Screw - M6 x 40	1	SP0159	
19	Spring washer – M6	1	SP0474	
20	Pressure Arm spring	1	7037	
21	Pressure Arm	1	7009	
23	Gasket	1	7076	
24	Stud – M8 – 65 TDC	3	4281	
	Stud – M8 – 165 TDC	3	4359	
25	Flat washer	3	3597	
26	Spring washer – M8	3	SP0467	
27	Hx. Hd. Nut – M8	3	SP0366	
28	Deck insert	1	7008	
29	Rivet	1	SP0536	
30	Bearing	1	4218	
31	Locknut	1	4257	
32	O-Ring	1	SP2751	
33	Collar	1	4258	
34	Deckplate Assembly - 65 TDC	1	P104714	24(x3),30,34
	Deckplate Assembly - 165 TDC	1	P104715	24(x3),30,34
35	Gearbox	1	P100900	
36	Key	1	6340	
37	Quick Release Clip	1	4547	
38	Bolt - M8 x 25	2	P12487	38,39,40
39	Spring Washer – 5/16"	2	P12487	38,39,40
40	Flat Washer	2	P12487	38,39,40
41	O-Ring	1	SP2787	
42	Motor - 12V - 600W	1	P10068	
	Motor - 24V - 600W	1	P10069	
	Motor - 12V - 1000W	1	P12072	
	Motor - 24V - 1000W	1	P12074	
43	Flat Washer	1	SP0421	
44	Capstan	1	4170	
46	Key	1	3462	
Not Shown	Replacement brush kit for 600W 12/24V	1	SP2932	
Not Shown	Replacement brush kit for 1000W 12V	1	P100807	
Not Shown	Replacement brush kit for 1000W 24V	1	P100808	

Rev.	Change	Made on	Des/Dwn	Checked
1.00	Initial issue	07/08/08	PC/RP	PCPg18
2.00	Washers SP0421 & 7317 Removed	02/02/10	DH	RP



Capstan parts



This drawing is protected by copyright and the design and or details contained therein are the confidential property of MAXWELL MARINE INTERNATIONALTD. This drawing must be returned upon demand and must not be copied, loaned or have its contents communicated to any other persons, including subcontractors, without the consent in writing from Maxwell Marine International Ltd. This drawing must not be used for any other purpose other than that for which it was originally supplied.

Sht Size	Scale	Dwg Type	Sheet	Description	Pbv/Dwg No.
A4	1:5	DFTED	1 of 1	<b>RC8 Stainless Steel Variations</b>	<b>P102550</b>



[#18] SP0159 Cap Screw  
 [RC6/10] Cap Screw  
 [#19] SP0474 Spring Washer  
 [#20] Spring  
 [#21] Pressure Arm  
 [RC10] Tension Pin

**P104733 RC Pressure Arm Kit**

[#37] 4547 Quick Release Clip  
 [#36] 6340 1/4" x 57mm Key  
 [#27] SP0366 M8 Nut  
 [#26] SP0467 Spring Washer  
 [#25] 3597 Flat Washer

**P101660 Spring Key Washer Kit**

[#31] 4527 Locknut  
 [#32] SP2751 O-Ring  
 [#33] 4528 Collar

**P100088 Locknut Kit**

[#7] SP0178 Cap Screw  
 [#8] Chainwheel Upper 6974 -6mm, 7004 -8mm  
 [#9] 7010 Stripper Arm  
 [#10] Chainwheel Lower 6975 -6mm, 7005 -8mm

Note: Includes SP4121 Magnet (not shown)  
**P103310 RC8-6 6mm Chainwheel**  
**P103311 RC8-8 8mm Chainwheel**

[#30] 4218 Bearing  
 [#14] 4410 Retaining Collar  
 [#22] 7007 Deckplate  
 [#34] Spacer Tube 4424 100TDC 4433 200TDC  
 [#24] Stud 4281 100TDC 4359 200TDC

**P104714 100TDC RC8 Deckplate Kit**  
**P104715 200TDC RC8 Deckplate Kit**

Refer to P104731 (100TDC) or P104732 for Full Deckplate Assembly including Deckplate, Pressure arm, Locknut & Deckplate insert.

[#38] SP0288 M8 x 25 Bolt  
 [#41] SP2787 O-Ring  
 [#40] SP0413 Flat Washer  
 [#39] Spring Washer

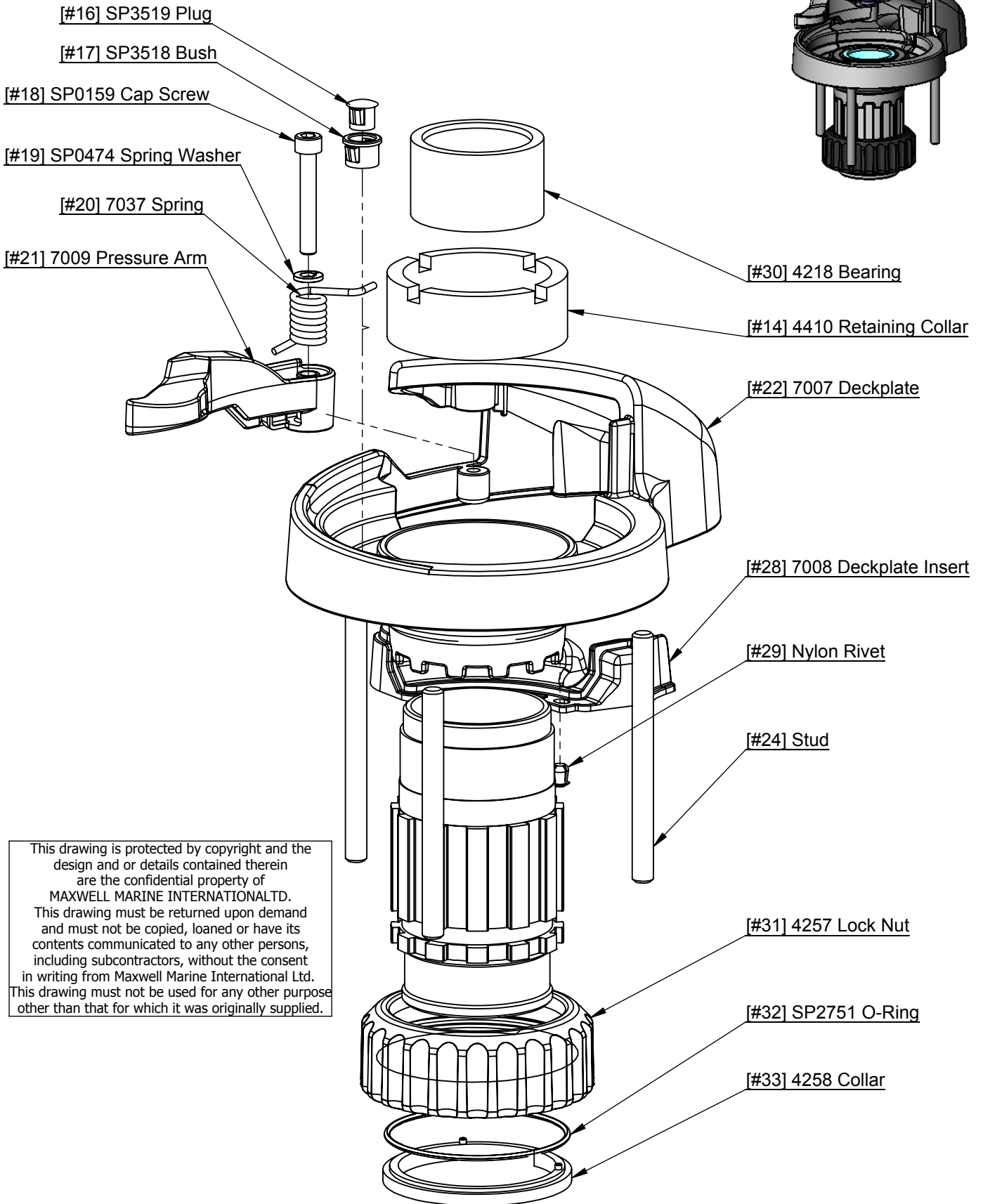
**P12487 Motor Bolt Kit**

[#12] 4168 Clutch Cone  
 Note: Press Fit  
 [#13] SP2758 Quad Ring  
 [#15] Shaft 4379 100TDC 4380 100TDC Capstan 4422 200TDC 4381 200TDC Capstan

**P100016 100TDC Shaft Kit**  
**P100017 100TDC Capstan Shaft Kit**  
**P100047 200TDC Shaft Kit**  
**P100048 200TDC Capstan Shaft Kit**

Refer P100018 for Capstan conversion Kit to convert Low Profile to Capstan Version

Rev.	Change	Made on	Des Dwn	Checked	As Shown	Description	Assy No.
1.00	Initial Kite Drawing Issue	30/10/12	GB	PC			N/A
						Sheet Description	
						1 of 1	
						RC8 Kit Assemblies	
						P102550	
						File location: W:\Product Data\assemblies\P102000-P102999\P-102550_1_00_PBV_RC8 KIT9	

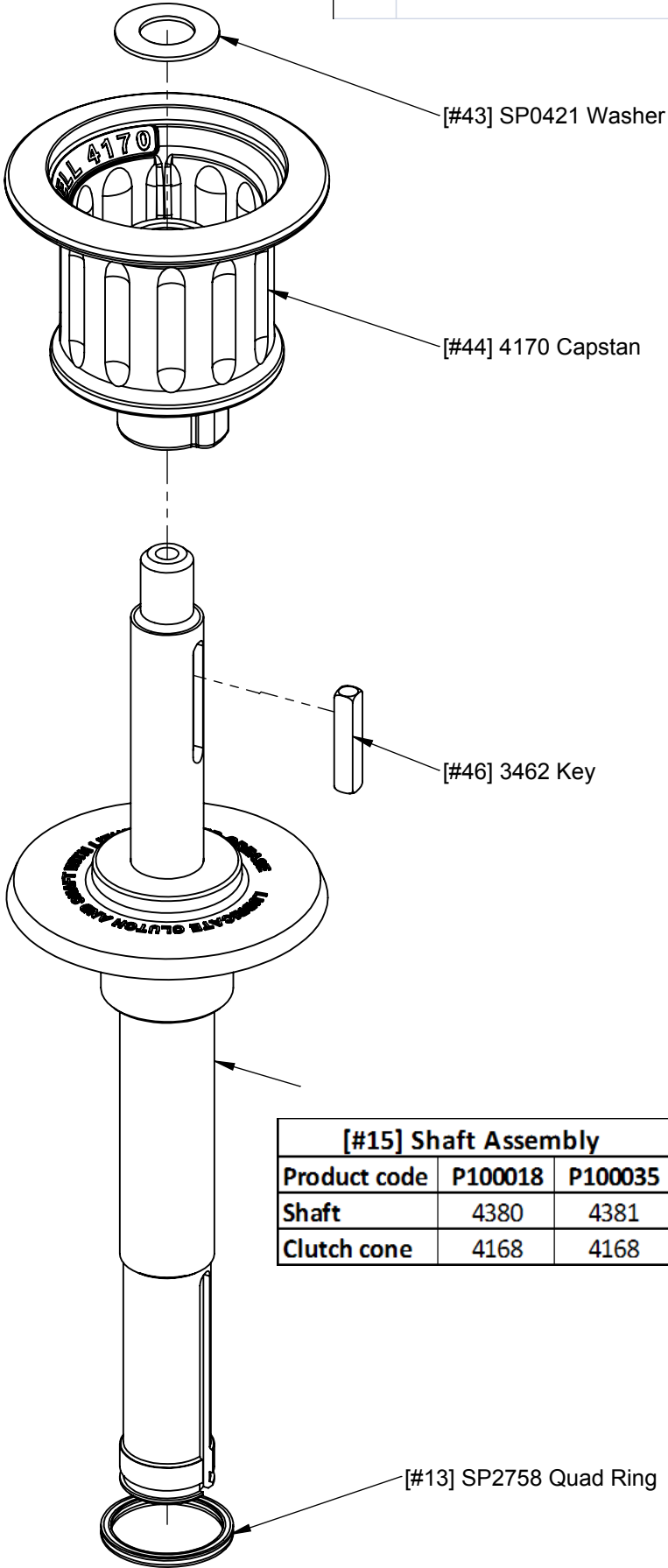


This drawing is protected by copyright and the design and or details contained therein are the confidential property of MAXWELL MARINE INTERNATIONALTD. This drawing must be returned upon demand and must not be copied, loaned or have its contents communicated to any other persons, including subcontractors, without the consent in writing from Maxwell Marine International Ltd. This drawing must not be used for any other purpose other than that for which it was originally supplied.

**P104731 RC8 100 TDC Deckplate Assembly**  
**P104732 RC8 200 TDC Deckplate Assembly**

Description					Assy No.
RC8 100TDC Deckplate Assembly					P104731
RC8 200TDC Deckplate Assembly					P104732
Sht Size	Scale	Dwg Type	Sheet	Description	Pbv/Dwg No.
A4	1:2	DFTED	1 of 1	<b>RC8 Deckplate Assembly</b>	<b>P103650</b>

Rev.	Change	Made on	Des/Dwn	Checked
2.00	Redrawn	29/09/11	GB	PCPg22



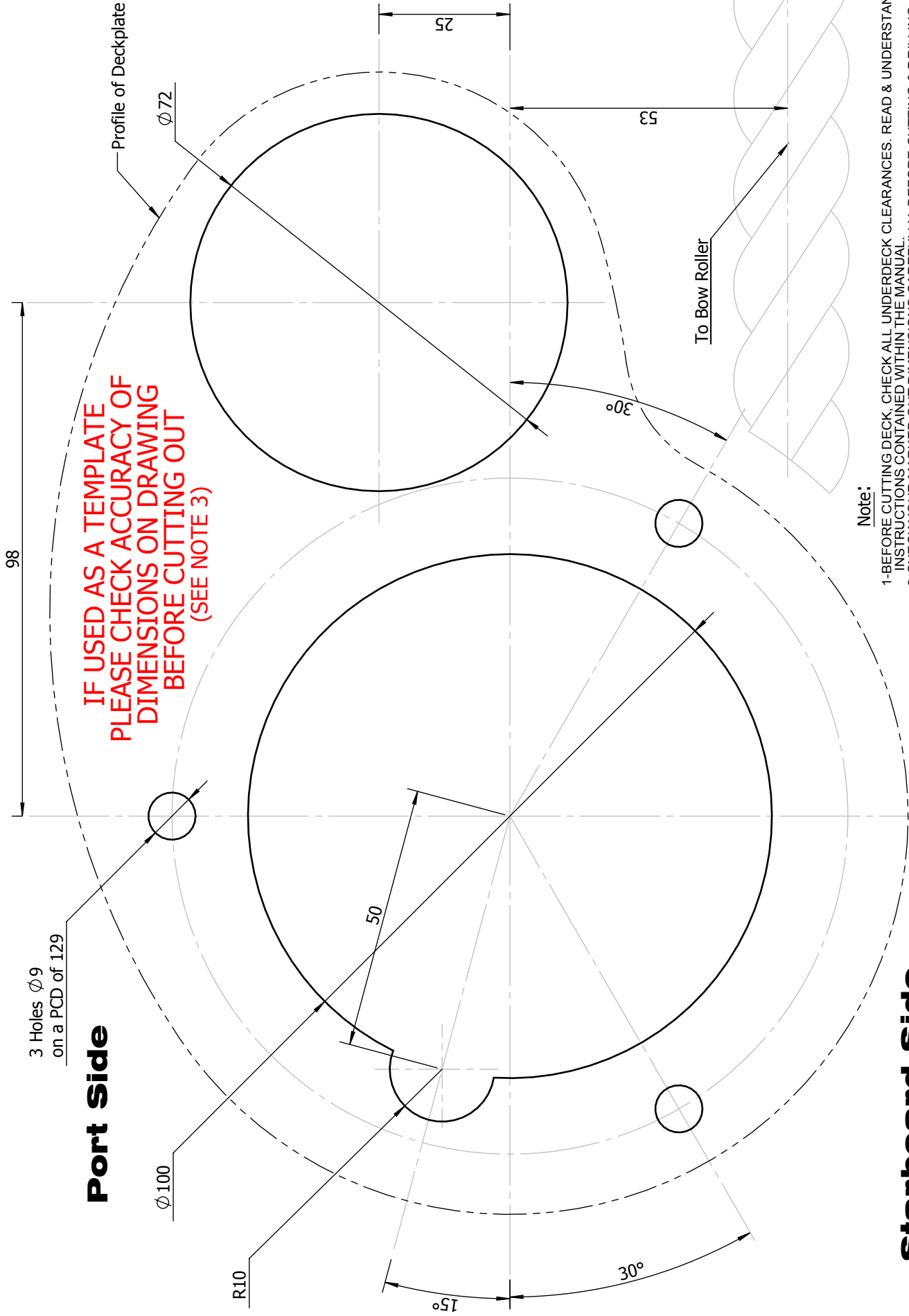
This drawing is protected by copyright and the design and or details contained therein are the confidential property of MAXWELL MARINE INTERNATIONALTD. This drawing must be returned upon demand and must not be copied, loaned or have its contents communicated to any other persons, including subcontractors, without the consent in writing from Maxwell Marine International Ltd. This drawing must not be used for any other purpose other than that for which it was originally supplied.

[#15] Shaft Assembly		
Product code	P100018	P100035
Shaft	4380	4381
Clutch cone	4168	4168

**P100018 RC8 100TDC Capstan Conversion Kit**  
**P100035 RC8 200TDC Capstan Conversion Kit**

Description					Assy No.
RC8 Capstan conversion kit 154DMC					P100018
RC8 Capstan conversion kit 254DMC					P100035
Sht Size	Scale	Dwg Type	Sheet	Description	Pbv/Dwg No.
A4	1:2	PBV	1 of 1	<b>Capstan Conversion Kit</b>	<b>P100018</b>





**IF USED AS A TEMPLATE  
PLEASE CHECK ACCURACY OF  
DIMENSIONS ON DRAWING  
BEFORE CUTTING OUT  
(SEE NOTE 3)**

3 Holes  $\phi 9$   
on a PCD of 129

**Port Side**

$\phi 100$

R10

50

15°

30°

25

55

30°

To Bow Roller

Profile of Deckplate

$\phi 72$

**Starboard Side**

**Note:**

- 1-BEFORE CUTTING DECK, CHECK ALL UNDERDECK CLEARANCES. READ & UNDERSTAND INSTALLATION INSTRUCTIONS CONTAINED WITHIN THE MANUAL.
- 2-CHECK YOUR MARKED OUT DIMENSIONS CAREFULLY, BEFORE CUTTING & DRILLING. DECK BOLT HOLES MUST BE DRILLED PARALLEL & SQUARE TO MOUNTING FACES.
- 3-MAXWELL MARINE IS NOT RESPONSIBLE FOR ANY INACCURATE DATA, DUE TO REPRODUCTION ERRORS OF FAX MACHINES, PRINTERS, PHOTOCOPIERS ETC.

Rev.	Initial Issue	Change	Made on Des/Drawn Checked	Description:	Drawing No:	Revision No:
1.00	Initial Issue		18/8/8 RP PC	<b>Deck cutout details - RC8</b>	<b>7185</b>	<b>1.00</b>

**Release Date:** October 2008

**Product Changes:**

September 2009: Deckplate changed from Chrome bronze to Stainless steel, chrome bronze deckplate can be identified by 4 (four) cap screws securing the deckplate on the bronze version Vs 2 (two) on the Stainless steel version. The pressure arm was also changed. Stainless steel pressure arm and deckplate are not retrofitable.

**Product features:**

Features		Benefit of Features
<b>Rope / Chain handling</b>		Able to run combination rodes
<b>Stainless steel deckplate.</b>		Corrosion free* durable deckplate
<b>Stainless steel Pressure Arm</b>		Break free
<b>Large chain pipe hole</b>		Reduced chance of jamming rode
<b>Patented wave design chainwheel</b>		Improved rode handling
<b>Composite plastic coated StSt Stripper</b>		Improved durability with minimal noise
Product Specifications		
<b>Model</b>	RC10 8mm - 5/16"	RC10 10mm - 3/8"
<b>Maximum Pull</b>	700kg 1540lbs	850kg 1870lbs
<b>Chain Short Link</b>	8mm 5/16"	10mm 3/8"
<b>Rope Size</b>	14mm	16mm
<b>(3 strand or 8 plait)</b>	9/16"	5/8"
<b>Chain Speed</b>	24m/min	24m/min
<b>(Normal working load)</b>	79ft/min	79ft/min
<b>Rope Speed</b>	20m/min	20m/min
<b>(Normal working load)</b>	65ft/min	65ft/min
<b>Power Supply (DC)</b>	12 or 24V	12 or 24V
<b>Motor Power</b>	1000W	1200W
<b>Net Weight (Electric)</b>	19kg 42lbs	20kg 44lbs

**Options:**

Extra Deck clearance option giving additional 100mm of deck clearance.

Nylon insulating gasket for use with aluminium hulls available (7321)

## RC10 Rope Chain Windlass

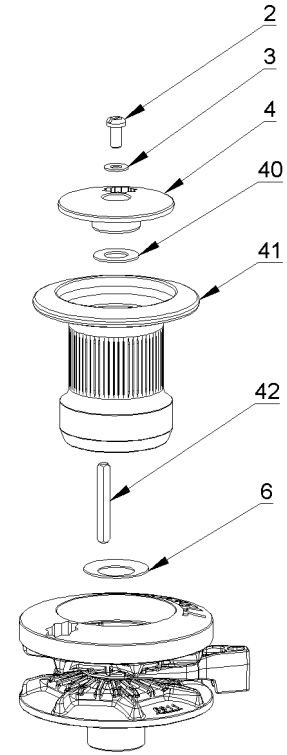
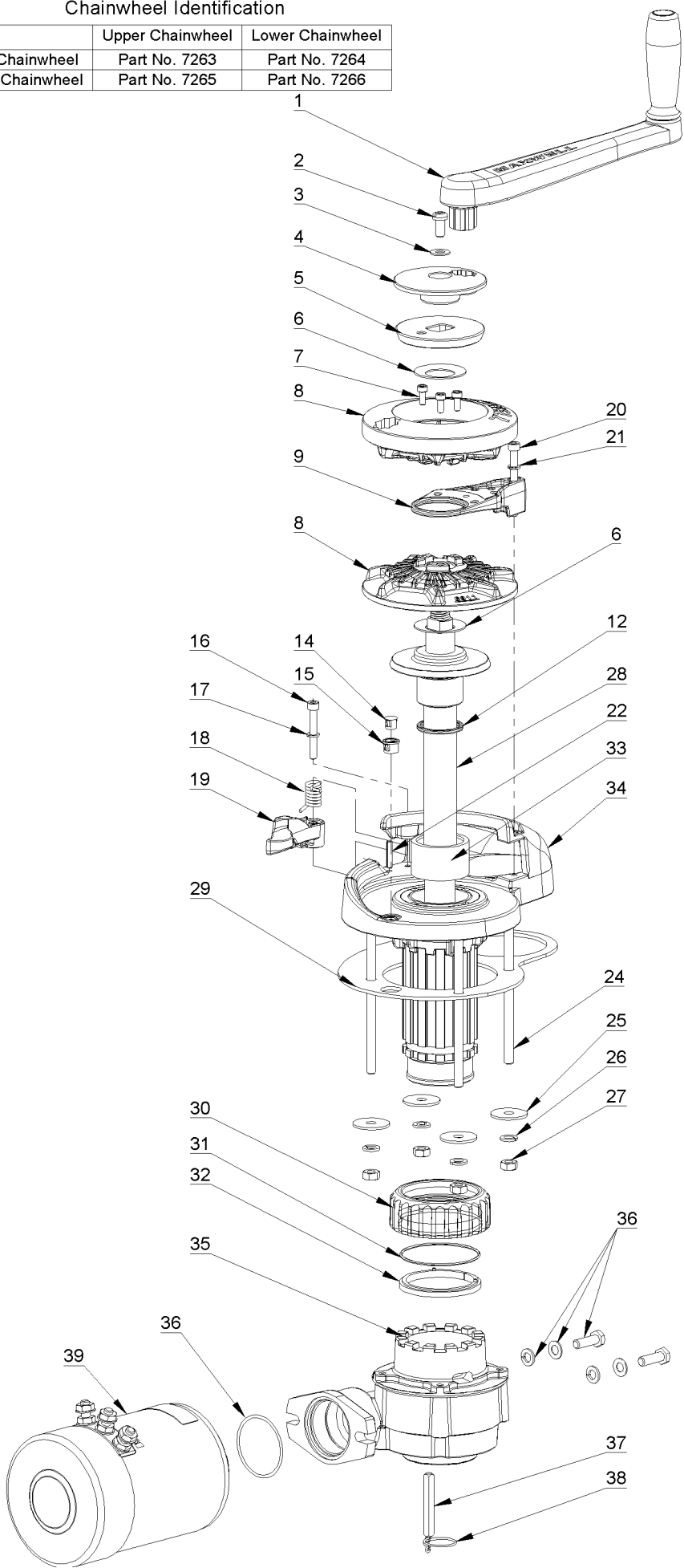


- Page 26 – Exploded view as shown in User Manual
- Page 27 – Part listing as shown in User Manual
- Page 28 – Exploded View (full part listing)
- Page 29 – Part listing (full part listing)
- Page 30 – Kits
- Page 31 – Kits (Deckplate assembly)
- Page 32 – Kits (Capstan conversion)
- Page 33 – Deck Template RC10
- Page 34 – Deck Template VW10

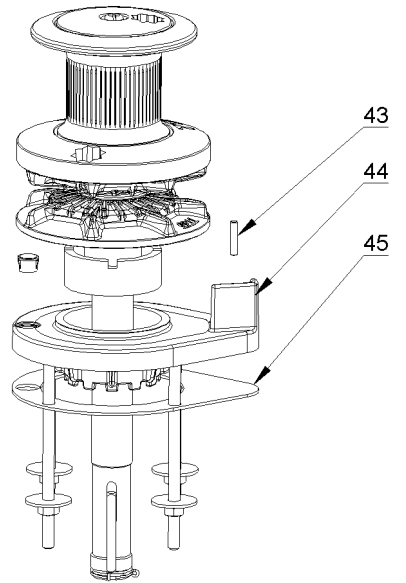
# Windlass Parts RC10 /VW10 Model

## Chainwheel Identification

	Upper Chainwheel	Lower Chainwheel
8mm Chainwheel	Part No. 7263	Part No. 7264
10mm Chainwheel	Part No. 7265	Part No. 7266



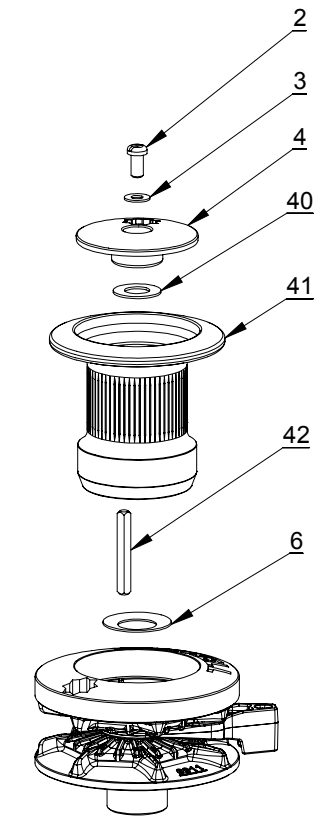
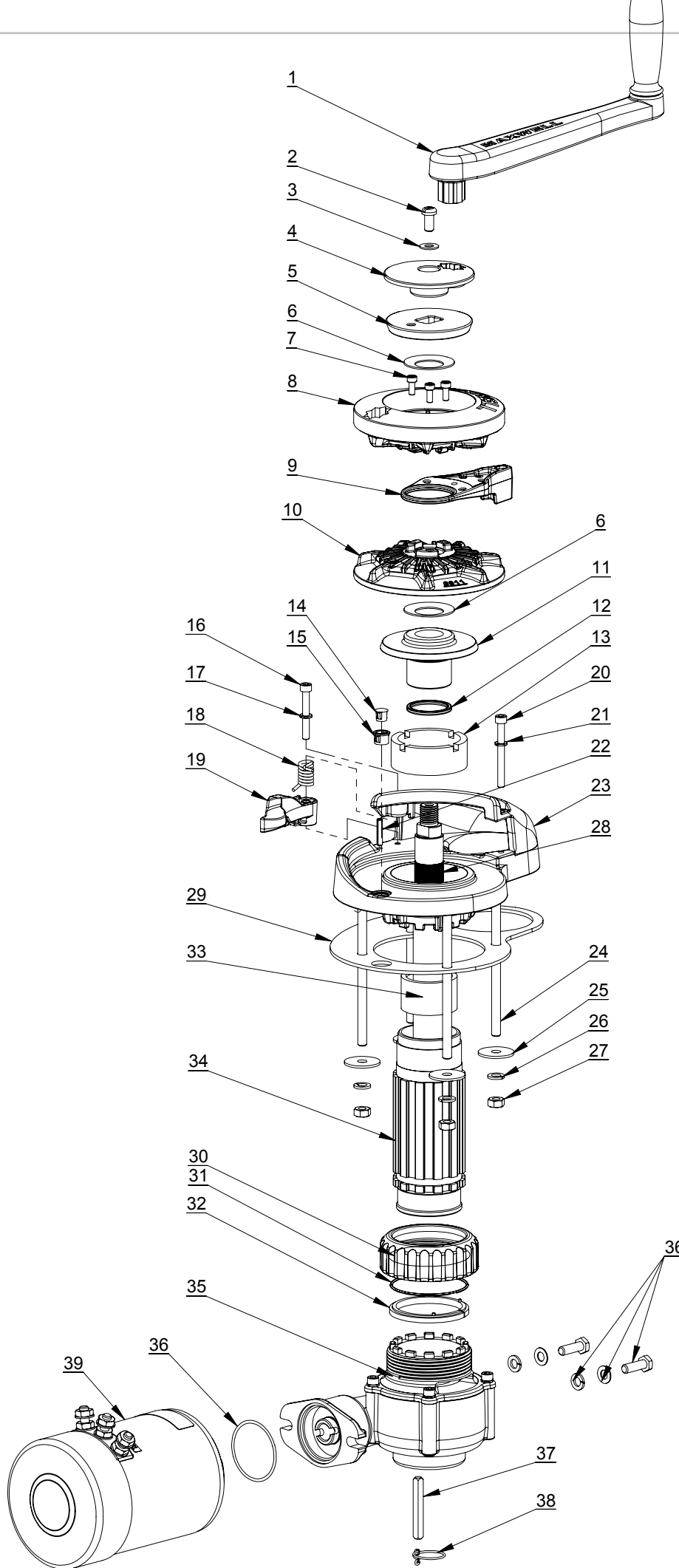
Capstan Arrangement



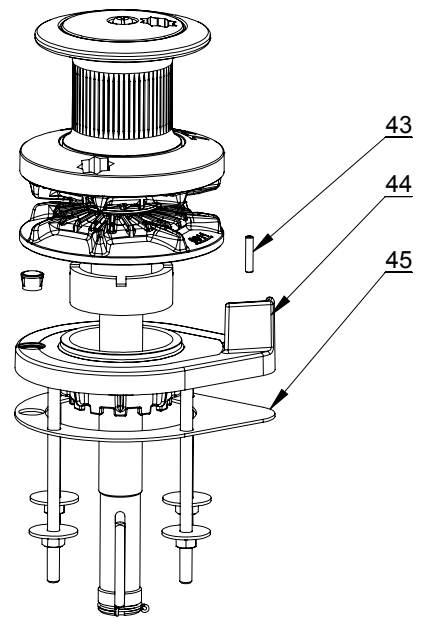
VW10 Arrangement

## Windlass Parts RC10 /VW10 Model

Item no.	Component description	Qty	Part to order	Includes
1	Handle	1	P103864	
2	Cap Screw - M8 x 16	1	SP4505	
3	Washer	1	SP0428	
4	Clutch Nut	1	6914	
5	Clutch Cone - Upper	1	6090	
6	Belleville Washer	2	SP0488	
7	Cap Screw	3	SP4503	
8	Chainwheel - 8mm-5/16"	1	P103308	7(x3),8,9
	Chainwheel - 10mm-3/8"	1	P103309	7(x3),8,9
9	Stripper	1	6915	
12	Quad Ring	1	SP2758	
14	Plug	1	SP3519	
15	Bush	1	SP3518	
16	Cap Screw - M6 x 45	1	SP4501	
17	Spring Washer	1	SP0474	
18	Spring	1	7037	
19	Pressure Arm	1	7009	
20	Cap Screw - M6 x 60	1	SP4502	
21	Spring Washer	1	SP0474	
22	Pin	1	SP0545	
24	Stud - 50TDC	4	4281	
	Stud - 100TDC	4	5256	
25	Washer	4	3597	
26	Spring Washer - M8	4	SP0467	
27	Nut - M8	4	SP0366	
28	Shaft Assembly- 50TDC - Capstan	1	P102527	12,28
	Shaft Assembly - 100TDC	1	P104700	12,28
	Shaft Assembly - 100TDC - Capstan	1	P104701	12,28
29	Deckplate Gasket	1	7040	
30	Locknut	1	4257	
31	O-Ring	1	SP2751	
32	Collar	1	4258	
33	Bearing	1	4218	
34	Deckplate Assembly - 50 TDC	1	P104721	24,33,34
	Deckplate Assembly - 100TDC	1	P104722	24,33,34
35	Gearbox - 56:1	1	P102730	
36	Motor bolt kit	1	P12487	
37	Key	1	6340	
38	Quick Release Clip	1	4547	
39	Motor - 12V - 1000W	1	P12072	
	Motor - 24V - 1000W	1	P12074	
	Motor - 12V - 1200W	1	P12073	
	Motor - 24V - 1200W	1	P12074	
40	Flat Washer	1	SP0421	
41	Capstan	1	7074	
42	Key - Capstan	1	6340	
43	Tension pin	1	SP0551	
44	Deckplate 10 VW	1	7416	
45	Gasket 10 VW	1	7624	
Not Shown	Replacement brush kit for motor 12V	1	P100807	
Not Shown	Replacement brush kit for motor 24V	1	P100808	



Capstan Arrangement



VW10 Arrangement

Sht Size	Scale	Dwg Type	Sheet	Description	Pbv/Dwg No.
A4	1:5	pbvint	1 of 1	<b>RC10 Stainless Steel variations</b>	<b>P102571</b>

Item no.	Component description	Part No	RC10-8 8mm-5/16"			RC10-10 10mm-3/8"			VW10-8 8mm-5/16" 100TDC Capstan	VW10-10 10mm-3/8" 100TDC Capstan	P103308 - 8mm Chainwheel Assy	P103309 - 10mm Chainwheel	P102527 - Shaft Assy 50TDC CAP	P104700 - Shaft Assy 100TDC	P104701 - Shaft Assy 100TDC CAP	P104702 - Capstan Conversion kit	P104722 - Deckplate 100TDC	P104730 - Deckplate Assembly 100TDC	P104733 - Pressure Arm Kit	P101668 - Spring, Key, Washer Kit
			100 TDC	100 TDC Capstan	50 TDC Capstan	100 TDC	100 TDC Capstan													
			P102571 12V	P102572 24V	P102573 12V	P102574 24V	P102581 12V	P102582 24V	P102575 12V	P102576 24V	P102577 12V	P102578 24V	P102586 12V	P102587 24V	P102590 12V	P102591 24V				
1	Handle	P103864	1	1	1	1	1	1	1	1	1	1	1	1						
2	Cap Screw - M8 x 16	SP4505	1	1	1	1	1	1	1	1	1	1	1	1	1					
3	Washer	SP0428	1	1	1	1	1	1	1	1	1	1	1	1	1					
4	Clutch Nut	6914	1	1	1	1	1	1	1	1	1	1	1	1	1					
5	Clutch Cone - Upper	6090	1	1				1	1											
6	Belleville Washer	SP0488	2	2	2	2	2	2	2	2	2	2	2	2	2					
7	Cap Screw	SP4503	3	3	3	3	3	3	3	3	3	3	3	3	3	3	3			
8	Chainwheel Upper - 8mm-5/16"	7263	1	1	1	1	1	1				1	1		1					
	Chainwheel Upper - 10mm-3/8"	7265							1	1	1	1			1	1				
9	Stripper	6915	1	1	1	1	1	1	1	1	1	1	1	1	1	1				
10	Chainwheel Lower - 8mm-5/16"	7264	1	1	1	1	1	1						1	1					
	Chainwheel Lower - 10mm-3/8"	7266							1	1	1	1			1	1				
11	Clutch cone	6919	1	1	1	1	1	1	1	1	1	1	1	1	1					
12	Quad Ring	SP2758	1	1	1	1	1	1	1	1	1	1	1	1	1			1	1	1
13	Retaining Collar	4410	1	1	1	1	1	1	1	1	1	1	1	1	1				1	1
14	Plug	SP3519	1	1	1	1	1	1	1	1	1	1	1	1	1					1
15	Bush	SP3518	1	1	1	1	1	1	1	1	1	1	1	1	1					1
16	Cap Screw - M6 x 45	SP4501	1	1	1	1	1	1	1	1	1	1	1	1	1					1
17	Spring Washer	SP0474	1	1	1	1	1	1	1	1	1	1	1	1	1					1
18	Spring	7037	1	1	1	1	1	1	1	1	1	1	1	1	1					1
19	Pressure Arm	7009	1	1	1	1	1	1	1	1	1	1	1	1	1					1
20	Cap Screw - M6 x 60	SP4502	1	1	1	1	1	1	1	1	1	1	1	1	1					1
21	Spring Washer	SP0474	1	1	1	1	1	1	1	1	1	1	1	1	1					1
22	Pin	SP0545	1	1	1	1	1	1	1	1	1	1	1	1	1					1
23	Deckplate	7039	1	1	1	1	1	1	1	1	1	1	1	1	1			1	1	
24	Stud - 50TDC	4281					4	4												
	Stud - 100TDC	5256	4	4	4	4			4	4	4	4	4	4	4	4			4	4
25	Washer	3597	4	4	4	4	4	4	4	4	4	4	4	4	4					4
26	Spring Washer - M8	SP0467	4	4	4	4	4	4	4	4	4	4	4	4	4					4
27	Nut - M8	SP0366	4	4	4	4	4	4	4	4	4	4	4	4	4					4
28	Shaft 50TDC - Capstan	7078					1	1									1			
	Shaft 100TDC	7034	1	1					1	1							1			
	Shaft 100TDC Capstan	7073			1	1					1	1	1	1	1	1			1	1
29	Deckplate Gasket	7040	1	1	1	1	1	1	1	1	1	1	1	1	1					
30	Locknut	4257	1	1	1	1	1	1	1	1	1	1	1	1	1					1
31	O-Ring	SP2751	1	1	1	1	1	1	1	1	1	1	1	1	1					1
32	Collar	4258	1	1	1	1	1	1	1	1	1	1	1	1	1					1
33	Bearing	4218	1	1	1	1	1	1	1	1	1	1	1	1	1			1	1	
34	Spacer Tube 50TDC	4424					1	1												
	Spacer Tube 100TDC	5254	1	1	1	1			1	1	1	1	1	1	1			1	1	
35	Gearbox - 56:1	P102730	1	1	1	1	1	1	1	1	1	1	1	1	1					
36	Motor bolt kit	P12487	1	1	1	1	1	1	1	1	1	1	1	1	1					
37	Key	6340	1	1	1	1	1	1	1	1	1	1	1	1	1				1	1
38	Quick Release Clip	4547	1	1	1	1	1	1	1	1	1	1	1	1	1			1		1
39	Motor - 12V - 1000W	P12072	1		1		1					1								
	Motor - 24V - 1000W	P12074		1		1		1				1								
	Motor - 12V - 1200W	P12073							1		1				1					
	Motor - 24V - 1200W	P12074								1		1			1					
40	Flat Washer	SP0421			1	1	1	1			1	1	1	1	1				1	
41	Capstan	7074			1	1	1	1			1	1	1	1	1				1	
42	Key - Capstan	6340			1	1	1	1			1	1	1	1	1				1	
43	Tension pin	SP0551												1	1	1	1			
44	Deckplate 10 VW	7416												1	1	1	1			
45	Gasket 10 VW	7624												1	1	1	1			

[RC6/RC8] SP0159 M6x40 Cap Screw

[#16] SP4501 M6x45 Cap Screw

[#17] SP0474 M6 Spring Washer

[#18] 7037 Spring

[#19] 7009 Pressure Arm

[#22] SP0545 5x24 Pin

**P104733 RC Pressure Arm Kit**

[#38] 4547 Quick Release Clip

[#37] 6340 1/4" x 57 Key

[#27] SP0366 M8 Hex Nut

[#26] SP0467 Spring Washer

[#25] 3597 Flat Washer

**P101668 Spring, Key, Washer Kit 4x M8**

[#30] 4257 Locknut

[#31] SP2751 O-Ring 66x2

[#31] 4258 Collar

**P100088 Locknut Kit**

[#7] SP4503 M5 x 12 Cap Screw (x3)  
(Apply Loctite 222 threadlock compound)

[#8] Chainwheel Upper  
7263C -8mm, 7265C -10mm

[#9] 6915 Stripper Arm

[#10] Chainwheel Lower  
7264C -8mm, 7266C -10mm

Note: Includes SP4121 Magnet (not shown)

**P103308 RC10-8 8mm Chainwheel Assembly  
P103309 RC10-10 10mm Chainwheel Assembly**

[#33] 4218 Deck Bearing

[#13] 4410 Retaining Collar

[#23] 7039 Deckplate

[#34] 5254 Spacer Tube

[#24] 5256 M8 Stud

**P104722 RC10 Deckplate 100TDC**

Refer to P104730 for Full Deckplate assembly including deckplate, pressure arm, locknut kits

[#36] SP0288 M8 x 25 Hex Bolt

[#36] SP2787 O-Ring 50x2

[#36] SP0413 M8 Flat Washer

[#36] SP0467 M8 Washer Spring

**P12487 Motor Bolt Kit DC  
(P12488 Motor Bolt Kit Hyd)**

[#11] 6919 Clutch Cone  
Note: Press Fit

[#12] SP2758 Quad Ring

[#28] Shaft  
7034 100TDC  
7073 Capstan Version

**P104700 RC10 Shaft Kit  
P104701 RC10 Capstan Shaft Kit**

Refer P104702 for Capstan conversion Kit to convert Low profile to Capstan Version

Description		Assy No.
RC8 RC10 Pressure Arm Kit		P104733
Motor Bolt Kit DC		P12487
Spring, Key, Washer Kit 4x M8		P101668
RC10-8 8mm Chainwheel Assembly		P103308
RC10-10 10mm Chainwheel Assembly		P103309
RC10 100 TDC Deckplate Assembly		P104722
RC10 Low Profile Shaft Kit		P104700
RC10 100 TDC Capstan Shaft Kit		P104701

Rev.	Change	Made on	Des/Dwn	Checked
2.00	Initial Kit Drawing Issue	12/10/12	GB	DH

Sheet 1 of 1

DFTMR

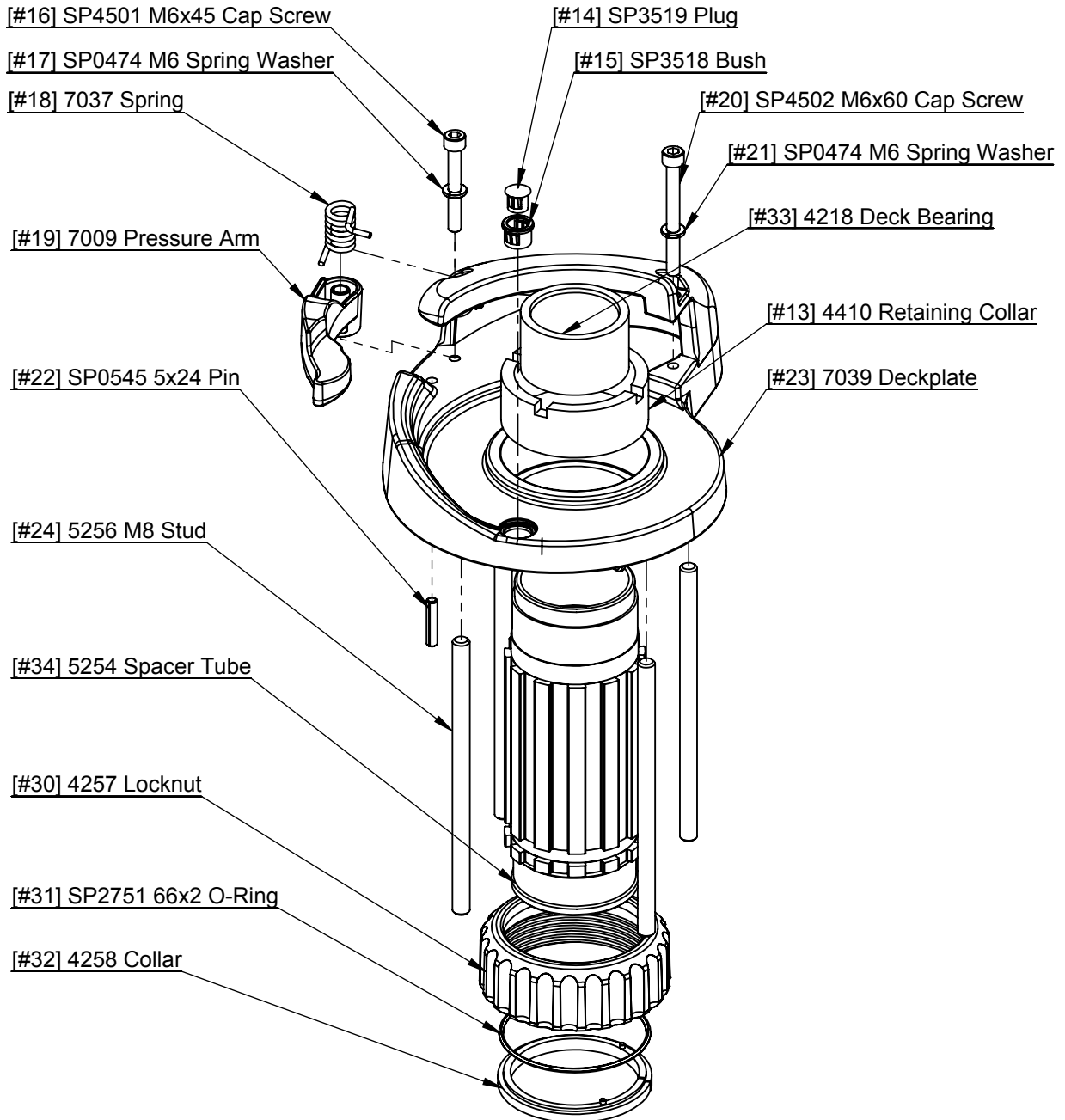
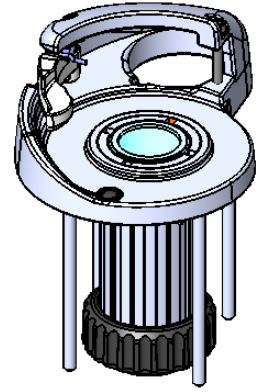
**RC10 Kit Assemblies**

P102571

File location: W:\Product Data\Assemblies\P102000-P102999\P102571\_2.00\_pbbvint\_RC10 - KIT9



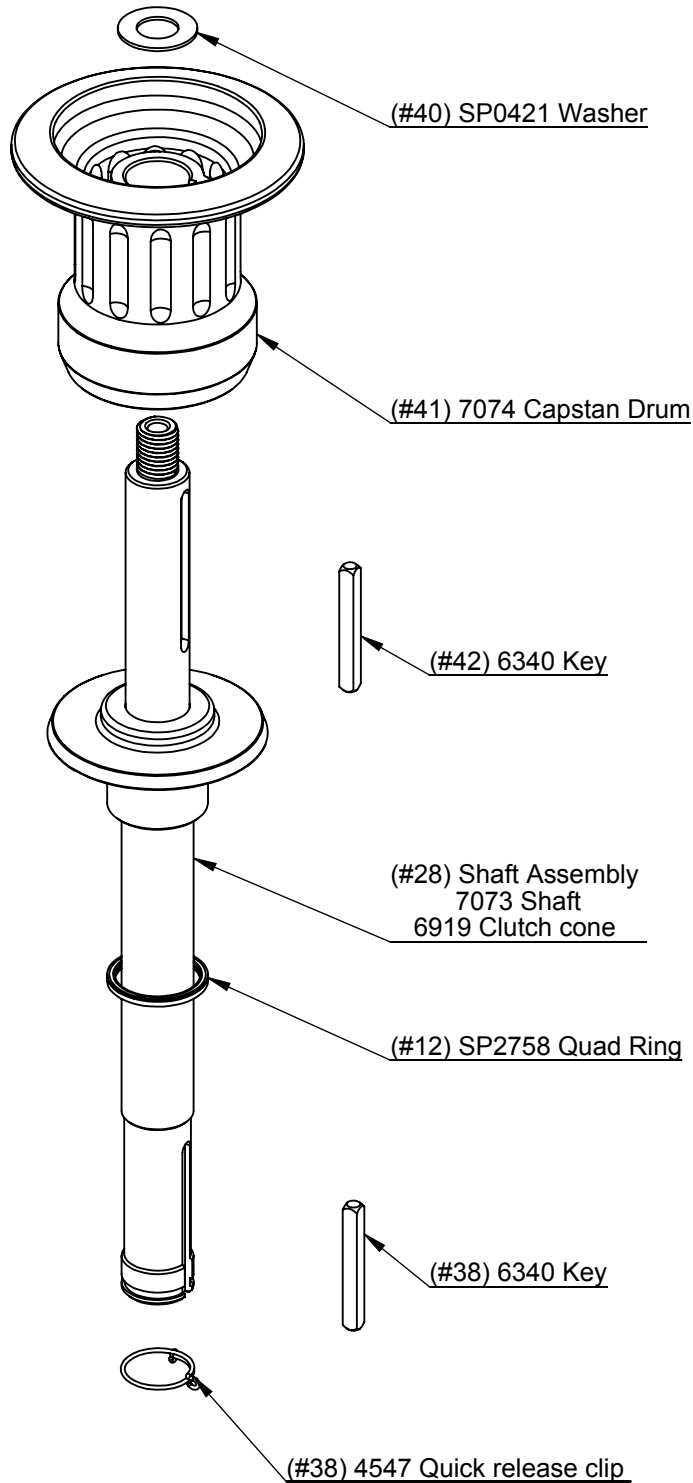
This drawing is protected by copyright and the design and or details contained therein are the confidential property of MAXWELL MARINE INTERNATIONALTD. This drawing must be returned upon demand and must not be copied, loaned or have its contents communicated to any other persons, including subcontractors, without the consent in writing from Maxwell Marine International Ltd. This drawing must not be used for any other purpose other than that for which it was originally supplied.



Description					Assy No.
RC10 100TDC Deckplate Assembly					P104730
Sht Size	Scale	Dwg Type	Sheet	Description	Pbv/Dwg No.
A4	1:3	DFTMR	1 of 1	<b>RC10 100TDC</b>	<b>P102571</b>

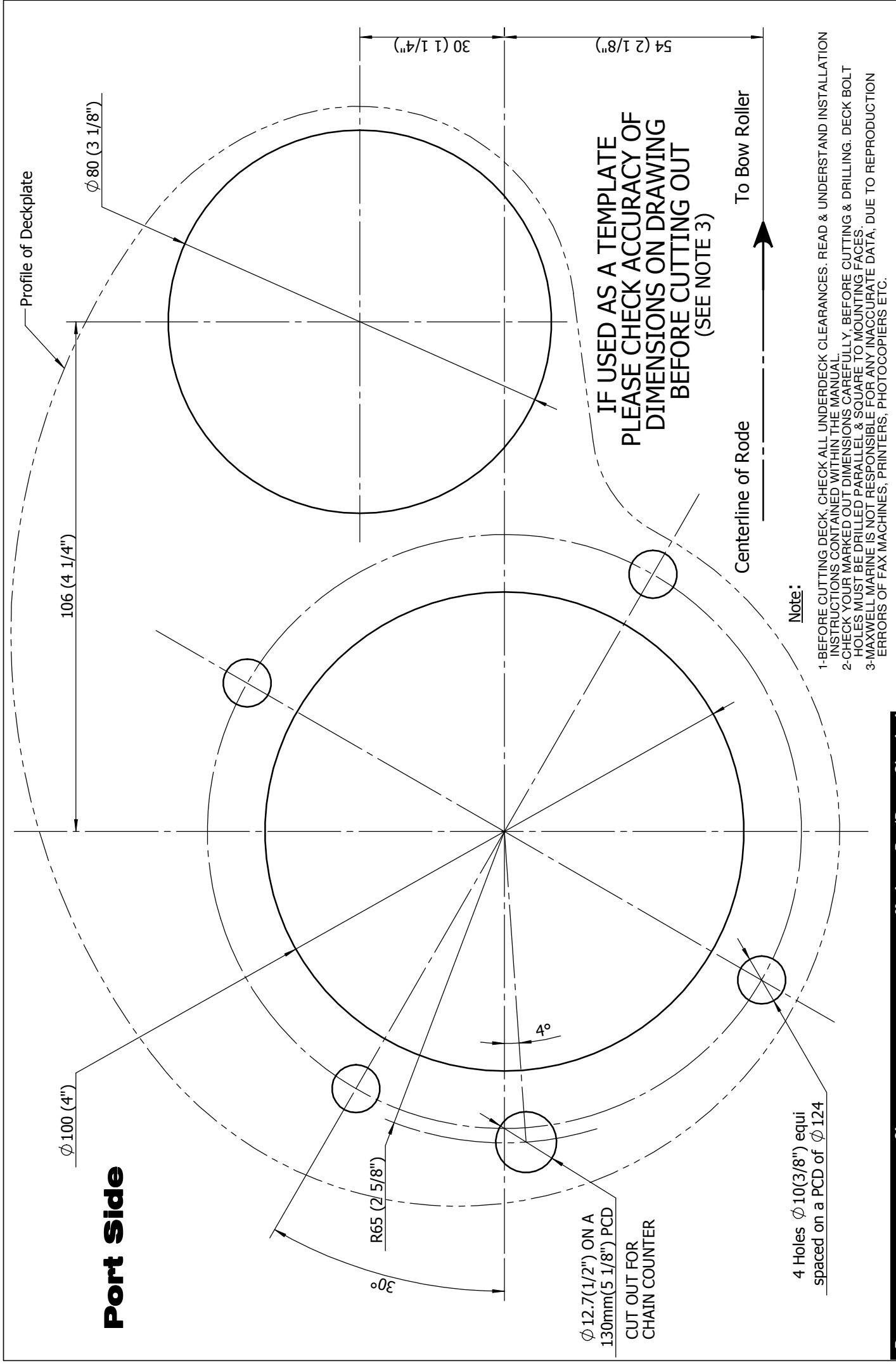
This drawing is protected by copyright and the design and or details contained therein are the confidential property of MAXWELL MARINE INTERNATIONALTD. This drawing must be returned upon demand and must not be copied, loaned or have its contents communicated to any other persons, including subcontractors, without the consent in writing from Maxwell Marine International Ltd. This drawing must not be used for any other purpose other than that for which it was originally supplied.

Rev.	Change	Made on	Des/Dwn	Checked
1.00	Initial Issue	17/10/12	GB	PCPg32



## P104702 RC10 Capstan Conversion Kit

Sht Size	Scale	Dwg Type	Sheet	Description	Pbv/Dwg No.
A4	1:3	DFTED	1 of 1	<b>RC10 Capstan Conversion Kit</b>	<b>P104702</b>



**Port Side**

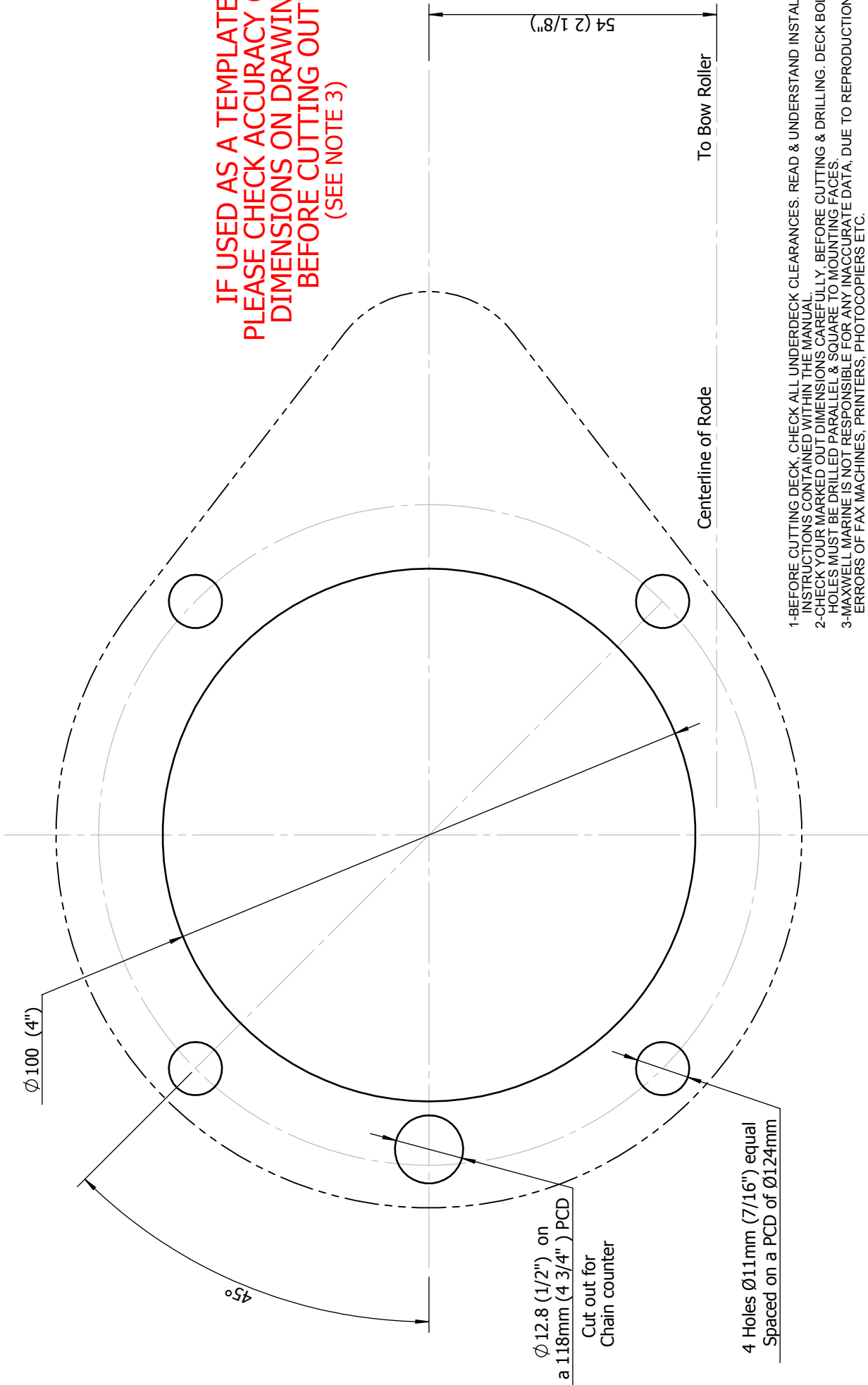
**IF USED AS A TEMPLATE  
PLEASE CHECK ACCURACY OF  
DIMENSIONS ON DRAWING  
BEFORE CUTTING OUT  
(SEE NOTE 3)**

**Note:**

- 1-BEFORE CUTTING DECK, CHECK ALL UNDERDECK CLEARANCES. READ & UNDERSTAND INSTALLATION INSTRUCTIONS CONTAINED WITHIN THE MANUAL.
- 2-CHECK YOUR MARKED CUT DIMENSIONS CAREFULLY. BEFORE CUTTING & DRILLING, DECK BOLT HOLES MUST BE DRILLED PARALLEL & SQUARE TO MOUNTING FACES.
- 3-MAXWELL MARINE IS NOT RESPONSIBLE FOR ANY INACCURATE DATA, DUE TO REPRODUCTION ERRORS OF FAX MACHINES, PRINTERS, PHOTOCOPIERS ETC.

Rev.	Initial Issue	Change	Made on Des/Drawn/Checked	Description	Drawing No.	Revision No.
1.00			04/11/10	DH GB	7522	1.00

File Location: W:\Product Data\components\7500-7599\7522\_1.00\_dfr\_Deck Cutout Details - RC10 SS



**IF USED AS A TEMPLATE  
PLEASE CHECK ACCURACY OF  
DIMENSIONS ON DRAWING  
BEFORE CUTTING OUT  
(SEE NOTE 3)**

- 1-BEFORE CUTTING DECK, CHECK ALL UNDERDECK CLEARANCES. READ & UNDERSTAND INSTALLATION INSTRUCTIONS CONTAINED WITHIN THE MANUAL.
- 2-CHECK YOUR MARKED OUT DIMENSIONS CAREFULLY. BEFORE CUTTING & DRILLING. DECK BOLT HOLES MUST BE DRILLED PARALLEL & SQUARE TO MOUNTING FACES.
- 3-MAXWELL MARINE IS NOT RESPONSIBLE FOR ANY INACCURATE DATA, DUE TO REPRODUCTION ERRORS OF FAX MACHINES, PRINTERS, PHOTOCOPIERS ETC.

Rev.	Change	Made on	Des/Drawn	Checked	Description:	Drawing No:	Revision No:
2.00	Initial issue	15/12/2011	DH	PC	<b>Deck Cutout Details -VW 10</b>	<b>7423</b>	<b>2.00</b>

File Location: W:\Product Data\components\7400-7499\7423\_2\_00prt\_Deck Cutout Template



