

WARNINGS

DANGER means if the danger is not avoided, it will cause death or serious injury.

WARNING means if the warning is not heeded, it can cause death or serious injury.

CAUTION means if the precaution is not taken, it may cause minor or moderate injury.

Warning: Keep out of reach from small children & pets. The cupholders are small and removable and can pose a risk of injury or choking.

Warning: Do not use this product in extreme weather or under other erratic driving conditions. If you are not able to hold your balance safely around the product then you should immediately disassemble the product and store away.

Warning: Do not use this product when intoxicated nor when loss of balance or judgement occurs.

Caution: When not in use, store the spike in a safe enclosure. The spike must be kept out of reach of children. During transport STILLA and STILLA SPIKE must not be assembled.

Use the cup holder for its intended purpose only. Do not use it for any other purpose or in any manner other than what is described in the product documentation.

STILLA SPIKE is only intended for use in soft soil and sand.

For optimal functionality, use the product within the temperature range between 15 - 35°C (60 - 95 °F).

Minor material deviations and surface finishes will vary from product to product.

Store the product when not in use for the longevity of the product. Discoloration and material degradation will occur when exposed to excessive UV rays.

Max load capacity when assembled is 5 kgs.

Quality Assurance Statement: At Portus & Navis we strive to provide our customers with the best product. We, therefore control our products using methodology MIL STD 105D.

Care Instructions:

Dishwasher safe.

Use only mild soap to clean - no bleach.

To prevent buildup or residue, thoroughly dry prior to use or storage.

Keep packaging for future reference.

Warranty:

Portus & Navis products are warranted up to 2 years against manufacturing defects when used as instructed in the user manual.

Manufacturing Country: Denmark

Manufacturer Name: Portus & Navis ApS

Company Registration Number: DK43076930

Website: www.portus-navis.com

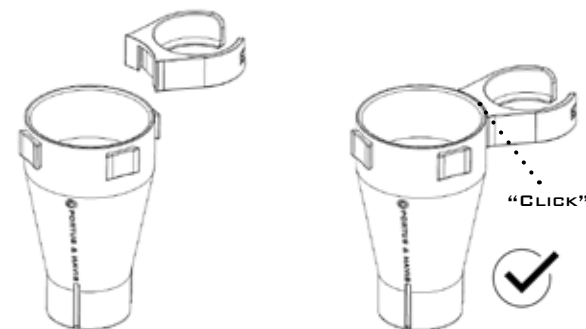
USER MANUAL

Thank you for purchasing STILLA from Portus & Navis ApS in Denmark.

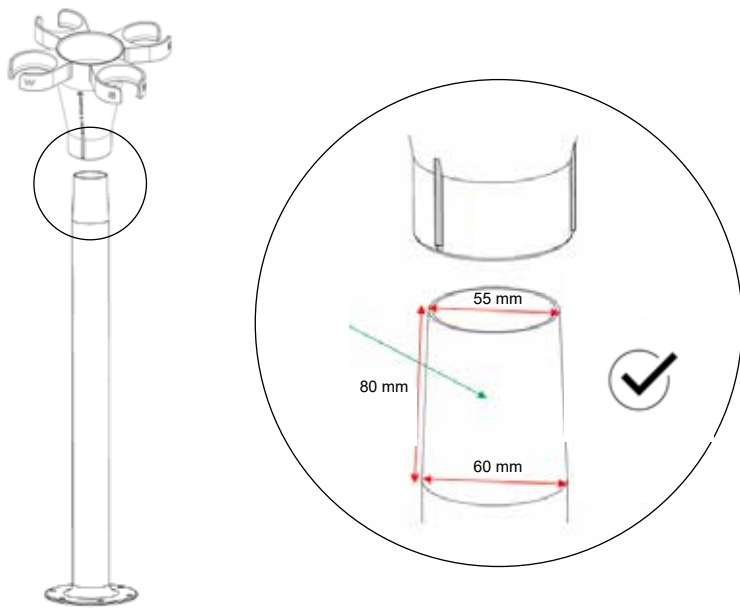
This manual will help you understand STILLA, so that you may use it correctly at its full capability. Read the instructions prior to use.

By using the STILLA cup holder, you assume all risks associated with its use. Portus & Navis ApS is not responsible for any injury or damage caused by the improper use of this product. Please read the instructions and warning labels carefully before using the STILLA cup holder.

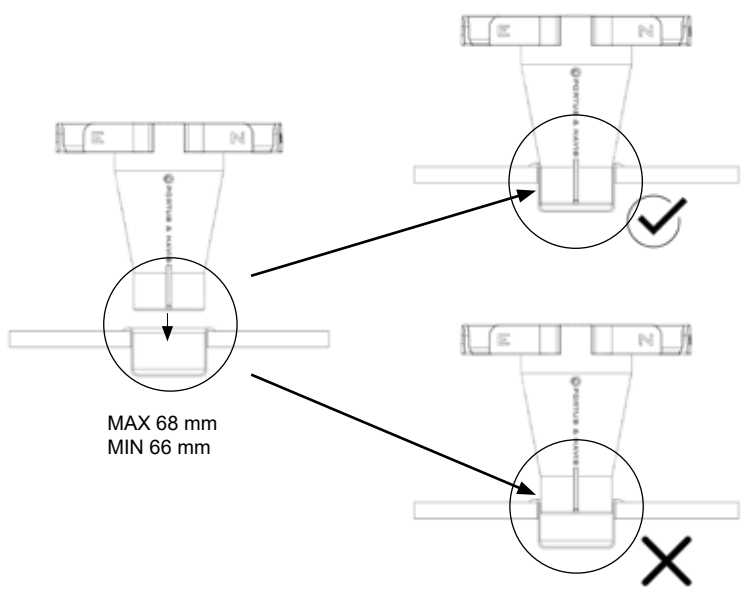
ASSEMBLY: STILLA BOTTLE HOLDER & CUP HOLDERS N, E, S, W. (NORTH, EAST, SOUTH, WEST).



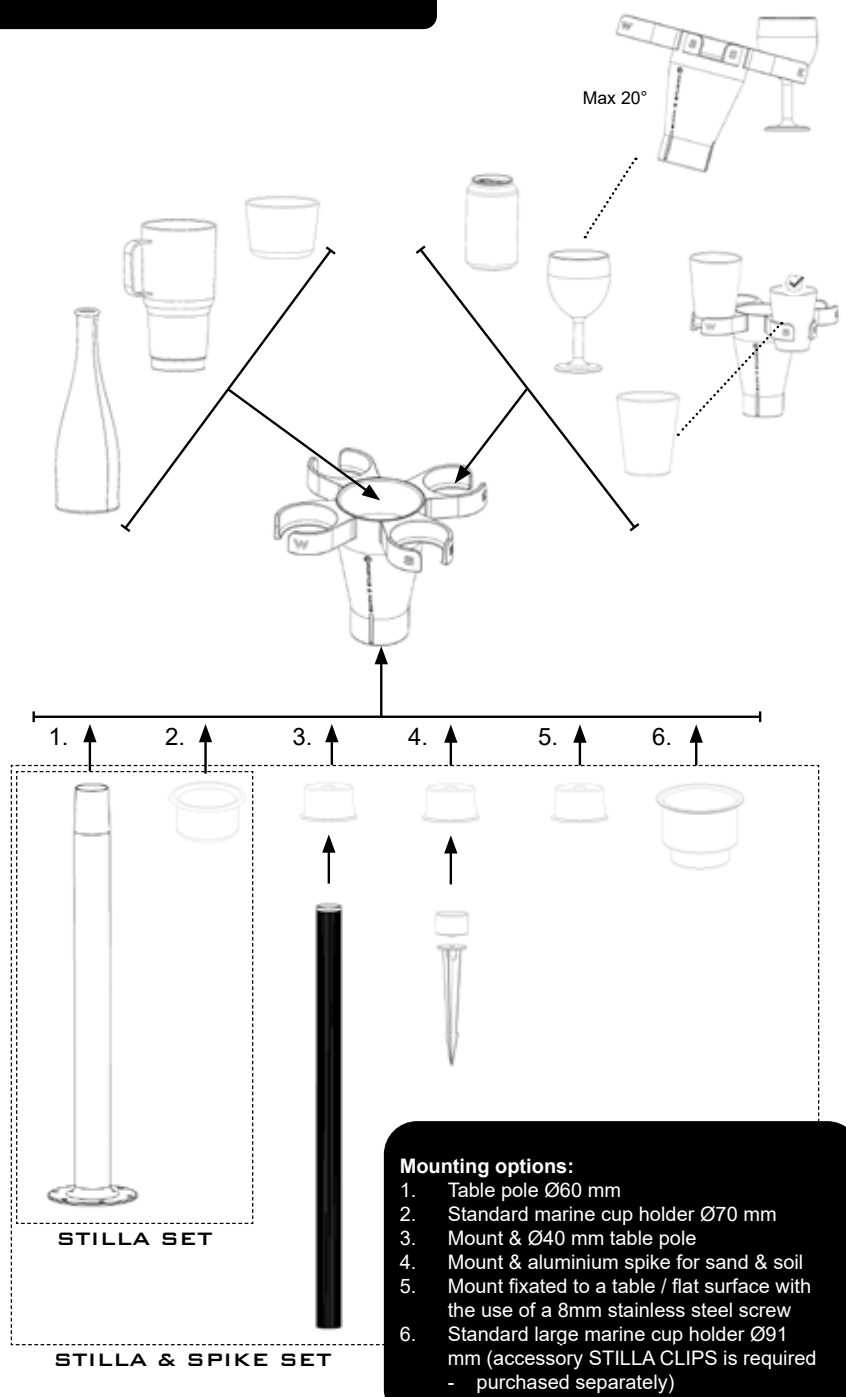
ASSEMBLY:
STILLA ON TABLE POLE Ø60MM / 2.36"



ASSEMBLY:
STILLA IN A CUP HOLDER Ø70MM / 2.36"



MOUNTING OPTIONS:



- Mounting options:**
1. Table pole Ø60 mm
 2. Standard marine cup holder Ø70 mm
 3. Mount & Ø40 mm table pole
 4. Mount & aluminium spike for sand & soil
 5. Mount fixated to a table / flat surface with the use of a 8mm stainless steel screw
 6. Standard large marine cup holder Ø91 mm (accessory STILLA CLIPS is required - purchased separately)