

I. Windlasses



V700 Vertical Windlass

With 316 stainless steel housing and a sleek flush-mount design, the V700 is one of the most attractive and durable small windlasses on the market. It works at the push of a button and has two built-in features that make it unique – impact protection and a Fall Safe gypsy lock.

- 316 stainless steel deck unit
- IP67 rated (water resistant to 1 metre)
- Fall Safe gypsy lock - prevents accidental deployment when under way
- Impact-resistant motor cover
- 5-year warranty
- For boats up to 10.5m (35 ft)

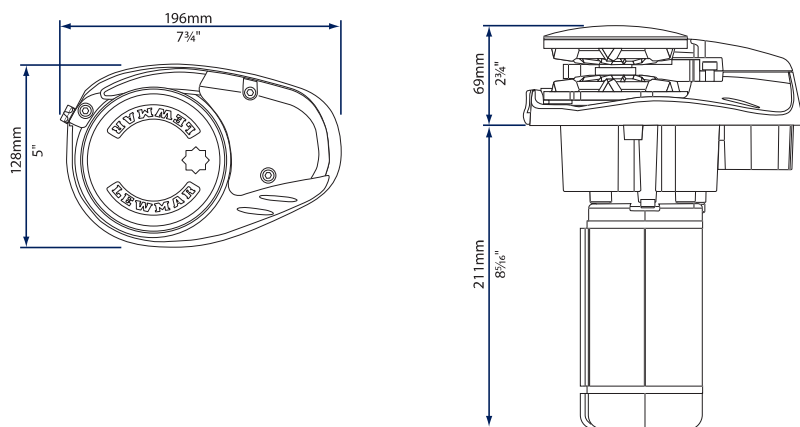


V700 Specifications

PART NUMBER	DESCRIPTION	GYPSY NO.	MOTOR SUPPLY VOLTAGE	MOTOR POWER WATT	MAX PULL		WORKING LOAD LIMIT		MAX LINE SPEED		TYPICAL LINE SPEED		NORMAL CURRENT DRAW AMP	CIRCUIT BREAKER AMP	WEIGHT GYPSY ONLY	
					KG	LB	KG	LB	M/MIN.	FT/MIN.	M/MIN	FT/MIN			KG	LB
6670011108-312	V700 12V 6/7MM/1/4" KIT*	603	12	320	320	700	79	175	25	82	15	50	45	35	6.5	14
6670011108	V700 12V 6/7MM/1/4" WINDLASS ONLY NO SWITCH KIT	603	12	320	320	700	79	175	25	82	15	50	45	35 (NOT SUPPLIED)	6.5	14

* Kit includes contactor and circuit breaker

Dimensions Diagram



Dual Chain Gypsy

The V700 comes with a gypsy able to accept both 6mm and 7mm (1/4) inch chains.

- Fits calibrated chains: 6mm DIN766, 1/4" G4 or BBB, 7mm DIN766
- Minimal parts for enhanced reliability

