

I. Windlasses



C Series Capstans

Lewmar's C Series Capstans provide effortless rope control at the press of a footswitch. The W.A.R.P. (Wear and Abrasion Resistant Pattern) finished drum optimises performance and reduces rope wear by up to 30%. Stainless steel components combine strength, corrosion resistance and durability with a beautiful polished finish. Installation of the C3 is quick and simple as it is fastened entirely from above deck.

- Beautifully crafted stainless steel components ensure enduring strength and performance
- W.A.R.P. finish drum - unique Wear and Abrasion Resistant Pattern reduces rope wear by 30%
- C3 offers quick, easy on-deck installation, requiring only one person
- C4-C10s have worm gearbox-inherent anti-runback characteristics acting as a mechanical brake



Capstan Selection Guide

MODEL	BOAT LENGTH OVERALL									
	6 M 20 FT	12.2 M 40 FT	18.3 M 60 FT	24.4 M 80 FT	30.5 M 100 FT	36.6 M 120 FT	42.7 M 140 FT	48.8 M 160 FT	55 M 180 FT	
VXC	Lighter shading represents the upper limit of model. If in doubt, move up a model.									
C3	Lighter shading represents the upper limit of model. If in doubt, move up a model.									
C4	Lighter shading represents the upper limit of model. If in doubt, move up a model.									
C5	Lighter shading represents the upper limit of model. If in doubt, move up a model.									
C6	Lighter shading represents the upper limit of model. If in doubt, move up a model.									
C10	Lighter shading represents the upper limit of model. If in doubt, move up a model.									
C12	Lighter shading represents the upper limit of model. If in doubt, move up a model.									

Lighter shading represents the upper limit of model. If in doubt, move up a model.

C Series Capstan Electric Specifications

DESCRIPTION	MOTOR POWER WATT	MAXIMUM PULL		WORKING LOAD LIMIT		MAXIMUM LINE SPEED		NORMAL CURRENT DRAW AMP	CIRCUIT BREAKER AMP	WEIGHT	
		KG	LB	KG	LB	M/MIN	FT/MIN			KG	LB
VXC	800	700	1543	175	385	21	63	58	70	7	15
C3 - 12V	1000	750	1650	188	414	12	39	65	70	12	26
C3 - 24V	1000	850	1870	213	470	12	39	40	50	12	26
C4 - 12V	1600	1250	2750	313	690	25	82	125	150	25	55
C4 - 24V	2000	1500	3300	375	827	27	89	70	110	25	55
C4 - 400 AC	2200	1500	3300	375	827	12.5	41	5	6	36	80
C5 - 12V	2000	1450	3190	363	800	27	89	120	150	27.5	60
C5 - 24V	2000	1600	3520	400	882	29	97	60	110	27.5	60
C6 - 24V	2000	1540	3388	770	1698	40	131	90	-	30	66
C6 - 400V AC	3000	1600	3520	800	1760	14	46	7.4	-	44	97
C10 - 400V AC	4000	2400	5280	1200	2640	20	66	9	10	107	236

C-Series Capstans

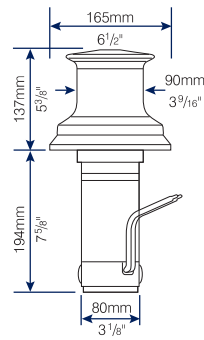
C Series Capstan Hydraulic Specifications

MODEL	NORMAL PRESSURE		FLOW RATE		MAX. PULL		MAX. LINE SPEED	
	BAR	PSI	L/MIN	US GAL/MIN	KG	LB	M/MIN	FT/MIN
C4/5 HYDRAULIC	175	2537	10-40	2.6-10.6	1100 AT 14 BAR	2400 AT 203 PSI	21 AT 40L/MIN	69 AT 10.6 US GAL/MIN
C6 HYDRAULIC	175	2573	10-60	2.6-15.8	1600	3520	8 TO 30	26 TO 98
C10 (200 CC/REV)	175	2573	20-55	5.2-14.3	2420	5324	8-23	26-75
C12 (250 CC/REV) 13.5:1 G/BOX	155	2279	30-80	7.8-20.8	5000	11000	6-17	20-56

C3 Capstan Kits

PART NO.	DESCRIPTION
6630331312	C3 - 12V DECK UNIT & MOTOR GEARBOX ASSEMBLY
6630332312	C3 - 24V DECK UNIT & MOTOR GEARBOX ASSEMBLY

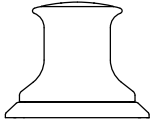
C3 Dimensions Diagram



C3 Deck Unit and Motor Gearbox Assembly

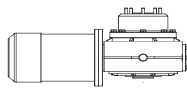
C4/5/6/10/12 Capstans

1 Deck Unit



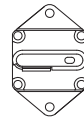
PART NO.	DESCRIPTION
66810032	C4/5 DECK UNIT
69000411	C6 DECK UNIT
69000453	C10/12 DECK UNIT

2 Motor Gearbox



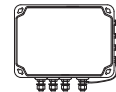
PART NO.	DESCRIPTION
68000534	C4 - 12V MOTOR GEARBOX
68000535	C4 - 24V MOTOR GEARBOX
68000901	C4 - 400V AC
66810011	C5 - 12V MOTOR GEARBOX
66810012	C5 - 24V MOTOR GEARBOX
68000294	C4/5 HYDRAULIC
69000414	C6 - 24V MOTOR GEARBOX
69000496	C6 - 400V AC
69000415	C6 HYDRAULIC
69000491	C10 4KW, 400V AC
69000456	C10 HYDRAULIC
69000458	C12 HYDRAULIC

3 Circuit Breakers



PART NO.	DESCRIPTION
68000350	CIRCUIT BREAKER 110A
68000351	CIRCUIT BREAKER 150A

4 Contactor



PART NO.	DESCRIPTION
SEALED CONTACTORS	
68000933	SINGLE 12V
68000934	SINGLE 24V
CONTACTORS IN BOXES	
18000301	SINGLE 12V
18000302	SINGLE 24V
PRE-WIRED CONTACTORS IN BOXES WITH FUSE	
68000319	SINGLE 12V
68000920	SINGLE 24V

Suitable for C3, C4, C5 and C6

+ AC control boxes

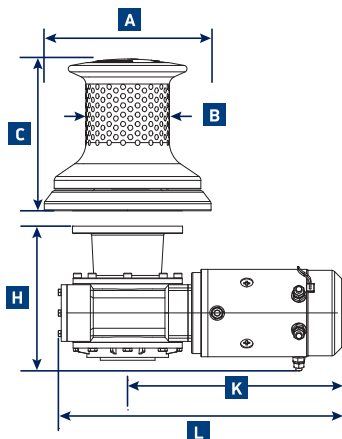
Suitable for C4, C5, C6 and C10



PART NO.	VOLTAGE	MOTOR POWER	RATED CURRENT
68000976	400 V	2.2 KW	5.5 A
68000977	400 V	3 KW	7 A
68000978	400 V	4 KW	9 A
68000979	400 V	5.5 KW	12 A
68000980	400 V	7.5 KW	16 A

PART NO.	VOLTAGE	MOTOR POWER	RATED CURRENT
68000984	200 V	2.2 KW	9.5 A
68000985	200 V	3 KW	12 A
68000986	200 V	4 KW	16 A
68000987	200 V	5.5 KW	20 A
68000988	200 V	7.5 KW	27 A

Dimensions Diagram



Above deck dimensions

MODEL	A		B		C	
	MM	IN	MM	IN	MM	IN
C4/5	215	8 1/2	108	4 1/4	196	7 3/4
C6	230	9 1/16	130	5 1/16	219	8 5/8
C10/12	340	13 3/8	180	7	293	11 1/2

Below deck dimensions

PART NO	MOTOR/ GEARBOX	L		K		H	
		MM	IN	MM	IN	MM	IN
68000534	C4 12V	363	14 1/4	278	10 7/8	168	6 2/3
68000535	C4 24V	363	14 1/4	278	10 7/8	168	6 2/3
68000901	C4 400V AC	489	19 1/4	405	15 9/16	201	7 7/8
66810011	C5 12V	390	15 1/3	298	11 2/3	173	6 3/4
66810012	C5 24V	390	15 1/3	298	11 2/3	173	6 3/4
68000294	C4/C5 HYD.	319	12 5/16	235	9 1/4	179	7
69000414	C6 24V	400	15 3/4	299	11 3/4	172	6 5/8
69000491	C10 400V AC	697	27 7/16	555	21 7/8	263	10 1/4