

2. Anchoring

Anchor Accessories

Anchor Rods

- Designed to complement the rope-chain gypsies fitted to all Lewmar windlasses
- Calibrated for even pitch
- Hot dip galvanised to minimise corrosion
- Welded for high strength
- Smooth rope-to-chain transition
- Helps your windlass operate smoothly
- Hand-sewn whipping guarantees against unravelling



Premium 3 Strand Rods (USA only)

PART NUMBER	DESCRIPTION
69000331	5 1/4 G4 X 100 1/2 WITH 5/16 SHACKLE
69000332	10 1/4 G4 X 150 1/2 WITH 5/16 SHACKLE
69000334	15 1/4 G4 X 200 1/2 WITH 5/16 SHACKLE
69000335	15 1/4 G4 X 300 1/2 WITH 5/16 SHACKLE
69000339	20 5/16 G4 X 200 9/16 WITH 3/8 SHACKLE

Premium 8 Plait Rods (USA only)

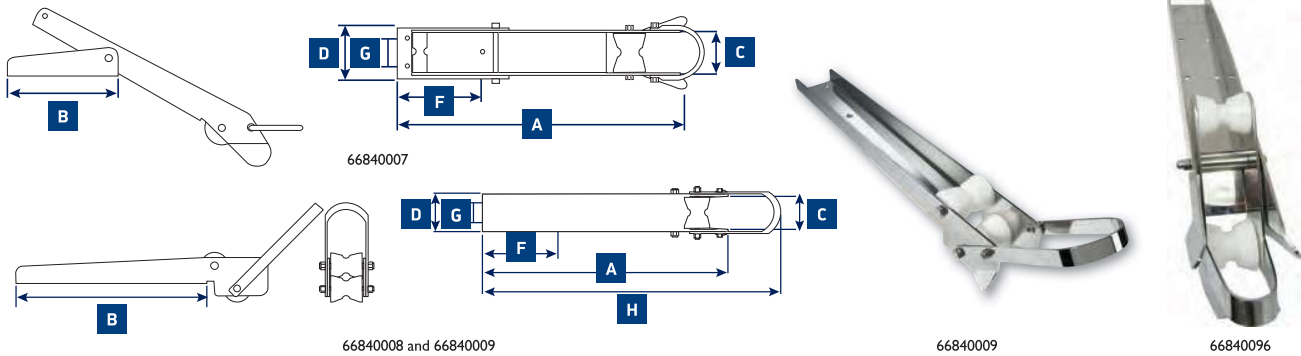
PART NUMBER	DESCRIPTION
HM10HT200PX	10 1/4 G4 - 200 1/2 8PLT WITH SHACKLE
HM15HT300PX	15 1/4 G4 - 300 1/2 8PLT WITH SHACKLE
HM15H300PX	15 5/16 G4 - 300 5/8 8PLT WITH SHACKLE

Bow Rollers

- Friction-free surface to make dropping and retrieving anchor easier
- Will not damage the deck or topsides
- Allows you to safely stow anchor while cruising and deploy at short notice
- Constructed of 304 stainless steel
- Range of rollers to fit the most common combinations of anchor; mounting style and boat



Dimension Diagram



Bow Rollers Specification

PART NUMBER	WEIGHT		ANCHOR TYPE	A		B		C		D		F		G		H	
	KG	LB		MM	IN	MM	IN	MM	IN	MM	IN	MM	IN	MM	IN	MM	IN
66840007	3.6	8	ANY FLUKE STYLE TO 35LB/16KG	524	20	103	8	76	3	99	3 7/8	153	6	51	2	-	-
66840008	4	9	14, 22 @ 35LB (7, 10 @ 16KG) DELTA® AND DTX ANCHORS	495	19 1/2	376	14 13/16	67	2 5/8	80	3 1/8	153	6	38	1 1/2	602	23 11/16
66840009	4.5	10	14, 22 @ 35LB (7, 10 @ 16KG) DELTA® AND DTX ANCHORS	597	23 1/2	478	18 13/16	67	2 5/8	80	3 1/8	153	6	38	1 1/2	704	27 11/16
66840060	0.5	1	SMALL BOW ROLLER	-	-	102	4	51	2	-	-	-	-	-	-	159	6 1/4
66840085	5	11	22, 35 @ 45LB (10, 16 @ 20KG) DELTA® AND DTX ANCHORS	-	-	400	15 3/4	77	3	80	3 1/7	242	9 1/2	46	1 13/16	577	22 11/16
66840096	8.2	18	35-55DTX/DELTA PIVOTING R1	-	-	510	20 1/16	113	4 7/16	123	4 7/8	466	18 5/16	47	1 6/7	730	28 3/4