

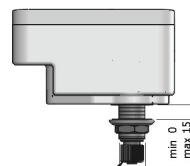
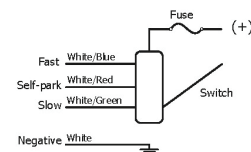
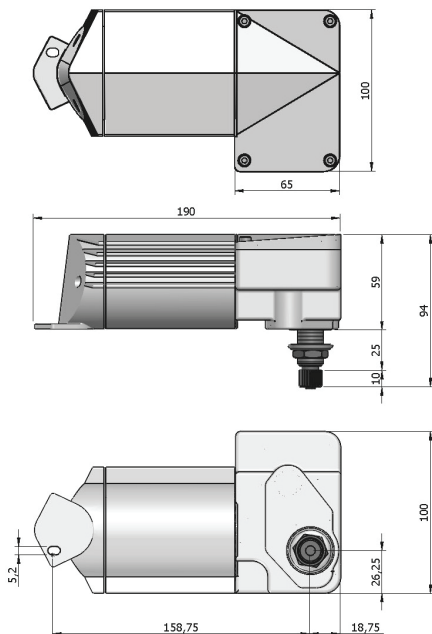
# 215 BD LD Wiper system

Application:	Windows up to 1100mm
Torque:	15Nm
Design:	Closed housing IP66
Wipe Arc system:	40-110°, adjustable in 10° steps
Shafts:	1 x Ø16mm
Idler spindle:	6mm (externally mounted)
Wiper arms:	Up to 600mm in length
Wiper blades:	Up to 600mm in length



## Characteristics

- Pantograph or pendulum wiping pattern
- 12 or 24 Volt DC
- Smooth quiet operation
- Slow and fast speed
- Self park function as standard
- Insulated earth return as standard
- Adjustable sweep angle as standard, 40-110°, in 10° increments
- Standard shaft lengths 25/50/75mm for bulkhead thickness 0-15/15-40/40-65mm respectively
- Various control options available



Colour	Function	Pol
White/Blue	High Speed	+
White/Red	Stop-Self park	+
White/Green	Low Speed	+
White	Negative	-

12V - 5A Fuse



## Ordering details LD Wiper motors

### White cover

2151225IER	<b>Exalto wiper 215BD, 12V, 15Nm, shaft length = 25mm</b>
2151250IER	<b>Exalto wiper 215BD, 12V, 15Nm, shaft length = 50mm</b>
2151275IER	<b>Exalto wiper 215BD, 12V, 15Nm, shaft length = 75mm</b>
2152425IER	<b>Exalto wiper 215BD, 24V, 15Nm, shaft length = 25mm</b>
2152450IER	<b>Exalto wiper 215BD, 24V, 15Nm, shaft length = 50mm</b>
2152475IER	<b>Exalto wiper 215BD, 24V, 15Nm, shaft length = 75mm</b>

### Black cover

2151225IER.B	<b>Exalto wiper 215BD, 12V, 15Nm, shaft length = 25mm</b>
2151250IER.B	<b>Exalto wiper 215BD, 12V, 15Nm, shaft length = 50mm</b>
2151275IER.B	<b>Exalto wiper 215BD, 12V, 15Nm, shaft length = 75mm</b>
2152425IER.B	<b>Exalto wiper 215BD, 24V, 15Nm, shaft length = 25mm</b>
2152450IER.B	<b>Exalto wiper 215BD, 24V, 15Nm, shaft length = 50mm</b>
2152475IER.B	<b>Exalto wiper 215BD, 24V, 15Nm, shaft length = 75mm</b>

## Exalto LD wiper arms SS304

21581118	<b>LD single arm, adjustable wiper arm, L = 330 – 450mm</b>
21581124	<b>LD single arm, adjustable wiper arm, L = 450 – 600mm</b>
21581218	<b>LD single arm, adjustable wiper arm + adjustable clip, L = 330 – 450mm</b>
21581224	<b>LD single arm, adjustable wiper arm + adjustable clip, L = 450 – 600mm</b>
21581318	<b>LD pantograph adjustable wiper arm, L = 330 – 450mm</b>
21581324	<b>LD pantograph adjustable wiper arm, L = 450 – 600mm</b>
21581618	<b>LD pantograph adjustable wiper arm with 2 springs, L = 330 – 450mm</b>
21581624	<b>LD pantograph adjustable wiper arm with 2 springs, L = 450 – 600mm</b>

NB: external pantograph plate supplied with the wiper arm

## Exalto LD wiper blades SS304

21582011-SS	<b>LD wiper blade, L = 280mm (11")</b>	21582018-SS	<b>LD wiper blade, L = 450mm (18")</b>
21582012-SS	<b>LD wiper blade, L = 300mm (12")</b>	21582020-SS	<b>LD wiper blade, L = 500mm (20")</b>
21582014-SS	<b>LD wiper blade, L = 350mm (14")</b>	21582020-SS	<b>LD wiper blade, L = 550mm (22")</b>
21582016-SS	<b>LD wiper blade, L = 400mm (16")</b>	21582020-SS	<b>LD wiper blade, L = 600mm (24")</b>

## Controller No. of Wipers Voltage

70906425.SET	<b>for 1 LD wiper</b>	<b>12/24V</b>
2159812	<b>for max 3 LD wipers</b>	<b>12/24V</b>
21591824	<b>for max 3 LD wipers</b>	<b>24V</b>
210604	<b>for max 4 LD wipers</b>	<b>12/24V</b>

## Electrical data

Torque (max.):	<b>15Nm</b>
Voltage:	<b>12 Volt / 24 Volt</b>
Nominal current:	<b>5A</b>
Number of revolutions:	<b>Low speed 28 rpm, High speed 60 rpm</b>
Recommended cable:	<b>4 wires, 1½ mm² (16g) or 2½ mm² (14g) up to 10m long</b>
Recommended fuse:	<b>5A slow blow (12V) or 3A slow blow (24V)</b>
Grounding:	<b>Insulated earth return</b>

