



The VWC Series is designed for automatic vertical handling of chain-only anchor rodes while offering an independent capstan for the retrieval of a secondary rope and chain rode or to assist with docking procedures.

Features and benefits

- Fully automatic single or dual direction chainwheel operation
- High-quality finish on above deck components, manufactured from marine grade stainless steel (AISI 316), for long term durability
- Integral chain pipe and stripper are aligned for virtually jam-free operation providing automatic feed of chain into and out of the anchor locker
- Port and starboard chain pipes for twin installations (Sizes 2500 and above only)
- Cone-type brake/clutch mechanism permits manual 'free fall' anchoring. Cone clutches, unlike dog clutches, provide smooth progressive engagement ensuring safe and precise operator control
- Chainwheel locking pawl
- Optional Band Brake available for 3500 series unit
- Clutch disengagement of the chainwheel enables independent rope hauling from any direction, using the Max-grip™ snag-free warping drum for positive control of all ropes
- Simple through deck installation by modular design and precise alignment of gearbox to the topworks utilising marine-grade stainless steel (AISI 316) bolts
- Anodized aluminium gearbox and spacer tube on all models.
- Heavy duty, dual direction motor, designed for marine winches
- Low Profile configurations (no warping drum) are available



3 YEAR
Limited Warranty

STANDARD EQUIPMENT REQUIRED FOR DUAL DIRECTION CONTROL

Dual Direction Solenoid (included)
Emergency crank handle/clutch control lever (included)
Chainwheel to suit chain specified chain size (included)
Up/Down remote control panel (not included)
Circuit breaker/isolator panel (not included)

OPTIONS

1. AutoAnchor™ Equipment
2. Foot Switches
3. Chain Stopper*
4. Up/Down remote control panel
5. Extra deck clearance kit
6. Hydraulic motor
7. Compact Remote
8. Roving remote

All standard and optional control accessories can be found on pages 358 - 361.

VWC2500



Important: Maxwell windlasses must be used in conjunction with a chain stopper or alternative snubbing device to take the load off the windlass while laying at anchor. The chain stopper and alternative snubbing system should also be used to secure the anchor in the fully raised position while under way.

Fully automatic operation for chain-only installations

SPECIFICATIONS

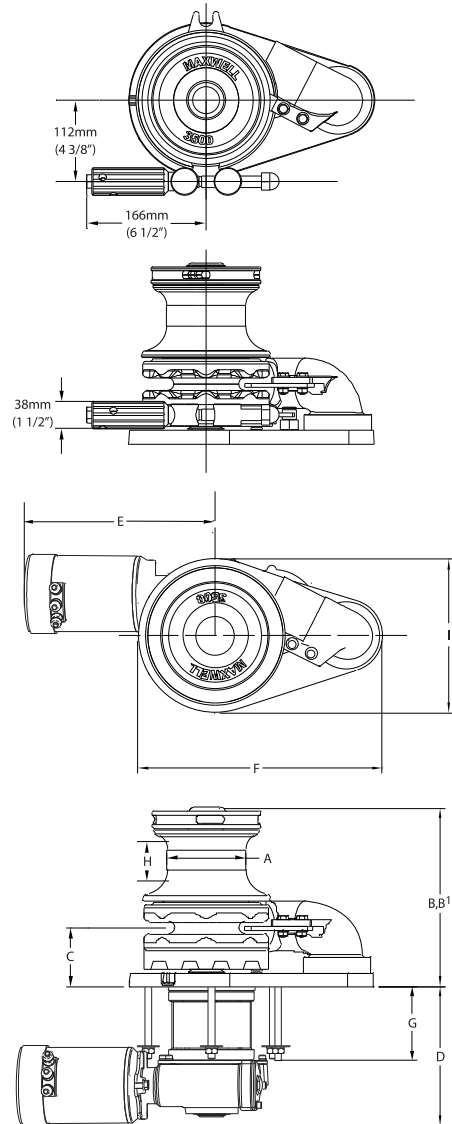
MODEL	1000	1500	2500	3500
Maximum Pull/Lift	700 kg 1540 lbs	850 kg 1870 lbs	1135 kg 2500 lbs	1590 kg 3500 lbs
Static Hold	1500 kg 3300 lbs	1500 kg 3300 lbs	2200 kg 4840 lbs	2200 kg 4840 lbs
Chain Short Link	6-10 mm 1/4" - 3/8"	6-10 mm 1/4" - 3/8"	9-11 mm 5/16" - 7/16"	10-13 mm 3/8" - 1/2"
Line Speed (Normal Working)	18m/min 60 ft/min	18 m/min 60 ft/min	15 m/min 50 ft/min	15 m/min 50 ft/min
Power Supply (DC)	12, 24 or 48 VDC	12, 24 or 48 VDC	12, 24 or 48 VDC	12, 24 or 48 VDC
Motor (Watt)	1000 W	1200 W	1200 W	1200 W
Net Weight - DC	24 kg 52 lbs	24 kg 52 lbs	38 kg 84 lbs	48 kg 106 lbs
Hydraulic Pressure	100 bar 1450 PSI	138 bar 2000 PSI	138 bar 2000 PSI	138 bar 2000 PSI
Hydraulic Flow	20 l/min 5.3 USgal/min	20 l/min 5.3 USgal/min	36 l/min 9.5 USgal/min	42 l/min 11 US gal/min
Net Weight - Hyd	17 kg 37 lbs	17 kg 37 lbs	32 kg 70 lbs	40 kg 88 lbs

DIMENSIONS

MODEL	1000	1500	2500	3500
A	80 mm 3 1/8"	80 mm 3 1/8"	94 mm 3 11/16"	110 mm 4 5/16"
B	195 mm 7 11/16"	195 mm 7 11/16"	242 mm 9 9/16"	254 mm 10"
B ¹ (Low Profile)	98 mm 3 7/8"	98 mm 3 7/8"	148 mm 5 27/32"	149 mm 5 7/8"
C	56 mm 2 7/32"	56 mm 2 7/32"	80 mm 3 5/32"	83 mm 3 9/32"
D	252 mm 9 5/16"	252 mm 9 5/16"	219 mm 8 5/8"	219 mm 8 5/8"
E	262 mm 10 11/32"	272 mm 10 23/32"	281 mm 11 1/8"	281 mm 11 1/8"
F	224 mm 8 27/32"	224 mm 8 27/32"	297 mm 11 23/32"	342 mm 13 7/16"
G (Std deck clearance)*	100 mm 4"	100 mm 3 11/32"	85 mm 3 11/32"	100 mm 4"
G (Extra deck clearance)^	150 mm 6"	150 mm 6"	190 mm 7 1/2"	190 mm 7 1/2"
H (Working height of drum for rope warping)	44 mm 1 3/4"	44 mm 1 3/4"	33 mm 1 5/16"	29 mm 1 1/8"
I	165 mm 6 1/2"	165 mm 6 1/2"	190 mm 7 1/2"	215 mm 8 15/32"

*For WVC1000 and WVC1500 a shorter deck clearance version is also available at 50 mm (2").

^ A deck clearance increase will also increase the 'D' measurement by the same increment.



WCLP3500 Low Profile Version



WVC3500 Band Brake featuring Maxwell's innovative 'stow-a-way' tensioning lever



WVC3500 without Band Brake

