

HRC10

Horizontal Rope/Chain Series HRC10-8 • HRC10-10



The HRC10 Horizontal Series windlasses proudly follow in the highly successful footsteps of Maxwell's previous, fully automatic rope/chain anchor winches.



HRC10 Chainwheel Capstan Version

Features and benefits

- The HRC10 fully automatic horizontal windlass series is designed to effortlessly retrieve and deploy 8 mm (5/16") and 10 mm (3/8") short link chain and 14 mm (9/16") and 16 mm (5/8") three strand or 8-braid (plait) rope
- The more powerful HRC10-10 can be use with 10 mm (3/8") chain spliced to 16 mm (5/8") 8-braid (plait) rope
- The aesthetically pleasing above deck design, evolved from the philosophy of form follows function, encapsulates the motor and drive in a two part watertight case, saving space below deck
- The two part case consists of a die cast, marine-grade hard anodised alloy front section and a rugged and easily removable composite motor cover aft section
- This two piece watertight case allows for quick and easy, on-deck, routine maintenance
- Simple 'bolt down' installation ensures effortless and rapid on-deck installation and set up
- The stainless steel (AISI 316) pressure arm always exerts maximum control pressure on the rode (rope, splice or chain)
- The revolutionary patented Wave Design™ chainwheel is able to accommodate a wide range of chain pitch differences, within the specified chain size diameters, suitable for use with the HRC10 Series. Refer page 351 for more information about this innovative feature
- The unique Maxwell 'wrap around' horizontal chainwheel ensures that more than 90° of the wheel is used, allowing greatly improved rope and chain handling compared with competitor designs
- The HRC10 works just as effectively with all-chain rodes for those who desire the added security and holding power of an all-chain anchor system
- The integral chain pipe and huge, through deck hawse pipe throat ensures easy entry of the rope/chain rode into and out of the anchor locker
- Cone type clutch/brake mechanism permits manual, 'free fall' anchoring and emergency crank recovery of the rode and anchor if required
- The sealed oil bath and marine-grade hard anodised, alloy gearbox provides high efficiency output drive via precision worm and wormwheel



HRC10 Non Capstan Version

3 YEAR
Limited Warranty

STANDARD EQUIPMENT REQUIRED FOR DUAL DIRECTION CONTROL

Dual Direction Solenoid (included)
Emergency crank/clutch release handle (included)
Up/Down remote control panel (not included)
Circuit breaker/isolator panel (not included)

OPTIONS

1. AutoAnchor™ Equipment
2. Compact Remote
3. Foot Switches
4. Chain Stopper
5. Chain Snubber

Every Maxwell HRC10 windlass comes with top works, motor/gear box and dual direction solenoid. Switches and circuit breaker are available and need to be ordered separately. Refer chart on page 368.

3 YEAR
Limited Warranty

Eye-catching fully automatic horizontal windlass with great capacities

SPECIFICATIONS

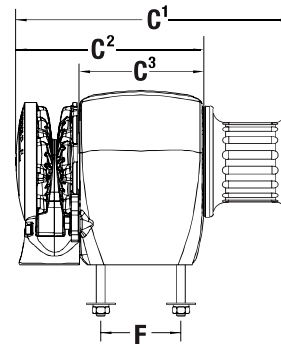
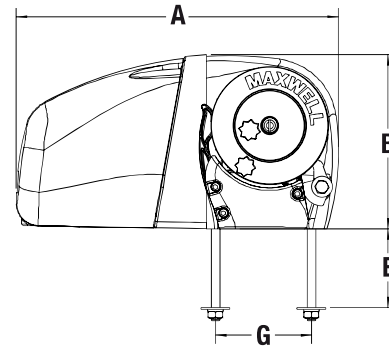
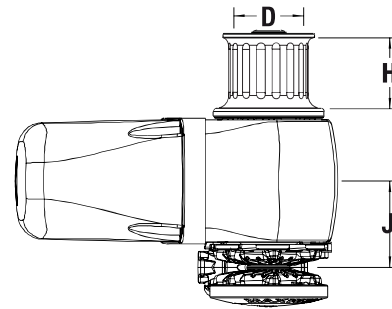
Model	HRC10-8* 8 mm - 5/16"	HRC10-10* 10 mm - 3/8"
Maximum Pull/Lift	700 kg 1540 lbs	850 kg 1870 lbs
Static Hold	1500 kg 3300 lbs	1500 kg 3300 lbs
Chain Short Link	8 mm 5/16"	10 mm 3/8"
Rope Size	14 mm - 16 mm 9/16" - 5/8"	16 mm 5/8"
Chain Speed (Anchor Retrieval)	24 m/min 79 ft/min	24 m/min 79 ft/min
Rope Speed (Anchor Retrieval)	20 m/min 65 ft/min	20 m/min 65 ft/min
Power Supply (DC)	12, 24 or 48 VDC	12, 24 or 48 VDC
Motor (Watt)	1000 W	1200 W
Net Weight	19 kg 42 lbs	20 kg 44 lbs
Hydraulic Pressure	138 bar 2000 psi	138 bar 2000 psi
Hydraulic Flow	20 L/min 5.3 USgal/min	20 L/min 5.3 USgal/min
Net Weight - Hyd	13 kg 28 1/2 lbs	13 kg 28 1/2 lbs

Non Capstan Version. Weight is 1kg/2.2lbs less than above indicated.

*8 mm - 5/16" or 10 mm - 3/8" chainwheels can be used on either of the above models

DIMENSIONS

Model	HRC10-8* 8 mm - 5/16"	HRC10-10* 10 mm - 3/8"
A	369 mm 14 9/16"	369 mm 14 9/16"
B	199 mm 7 7/8"	199 mm 7 7/8"
C ¹	316 mm 12 1/2"	316 mm 12 1/2"
C ²	225 mm 8 7/8"	225 mm 8 7/8"
C ³	140 mm 5 1/2"	140 mm 5 1/2"
D	80 mm 3 3/16"	80 mm 3 3/16"
E (standard deck clearance)	90 mm 3 9/16"	90 mm 3 9/16"
F	92 mm 3 9/16"	92 mm 3 9/16"
G	110 mm 4 3/8"	110 mm 4 3/8"
H	80 mm 3 3/16"	80 mm 3 3/16"
J	99 mm 4"	99 mm 4"



Important: Maxwell windlasses must be used in conjunction with a chain stopper or alternative snubbing device to take the load off the windlass while laying at anchor. The chain stopper and alternative snubbing system should also be used to secure the anchor in the fully raised position while under way.

