

# TIGRES 48V - Horizontal Windlass

*with Rope Kit* 1500 W



## Main Features

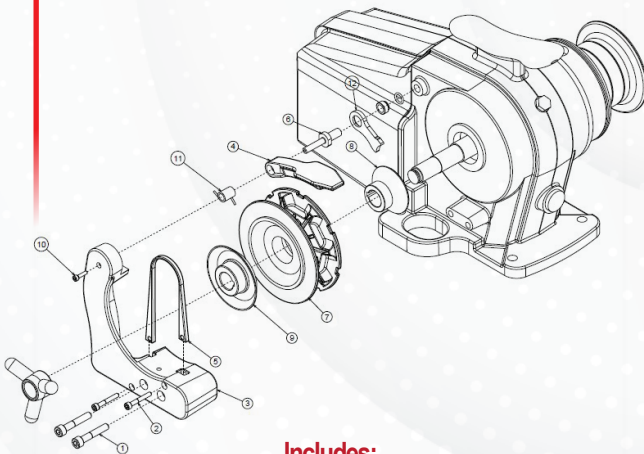
- ✓ 48V power supply
- ✓ Marine anodised aluminium body
- ✓ Independent gypsy and drum operation
- ✓ Manual chain release
- ✓ Manual override
- ✓ IP67 motor cover
- ✓ Rope kit included



## Advantages of 48V

- ✓ The increasing popularity of environmentally friendly boats with 48V electric propulsion required the development of windlasses running at the same voltage.
- ✓ Operates from 48V house bank batteries, an option which will provide space and cost savings for the boating community as smaller wires will be needed for the installation.

## ROPE KIT for TIGRES





### Includes:

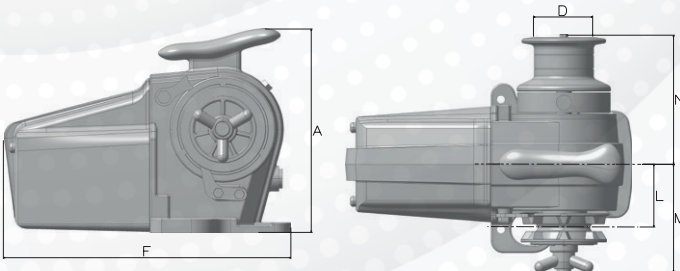
Nr.	Description	Nr.	Description
1	Hexagon Screw M8x45	7	Gypsy for Ø 8mm 5/16" or Ø 10mm 3/8" Chain
2	Hexagon Screw M6x40	8	Inner Cone Clutch
3	Body	9	Outer Cone Clutch
4	Finger	10	Hexagon Screw M4x16
5	Stripper	11	Spring
6	Finger Pin	12	Pawl

## Construction Material

**Anodised Aluminium**

Motor size			1500 W
Power Supply (V)			48
Maximum Pull (kg)			1000
Working Load (kg)			120
Amps at Working Load (A)			33
Line Speed at Working Load (m/min)			20
Max. Line Speed (m/min)			20
Net Weight (kg)			28
			Code
<b>TIGRES</b>	8 ISO-5/16" HT	14mm 3-strand or 8 plaited rope	636691
	10 ISO-3/8" HT	16mm 3-strand or 8 plaited rope	636692

## Dimensions (mm)



Model	A	D	F	L	M	N
1500 W	290	Ø85	415	90	155	185

Made in Italy

