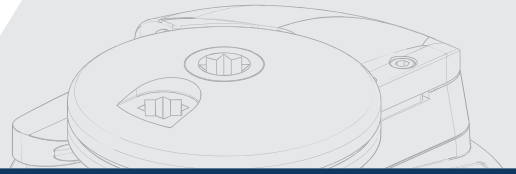


ERCOLE VERTICAL



Windlass

3500 W / 4000 W / 5500 W /
7500 W / Hydraulic - 11cc

RINA
Approved



Chain Roller

Chain Pipe

Main Features

- Under-deck compact dimensions
- Marine AISI 316L Stainless Steel construction
- High torque latest generation electric motor able to provide the power needed in all marine conditions
- Band brake to assist in chain control, thanks to an easy-to-manage large hand-wheel

- Special high-grip drum with independent rotation from the gypsy, for warping function
- Independent gypsy and drum operation
- Manual chain release
- Manual override to recover the chain and anchor in case of electrical failure
- Internal ratchet to prevent chain jams into the chain locker which could damage the deck
- Chain counter support integrated by the sensor inserted in the base and the magnet in the gypsy
- Available also in counter clockwise rotation
- High-efficiency Lofrans' planetary - worm screw gearbox made in anodised black aluminium with gears made in high mechanical strength material
- Heavy-duty electric motor
- Available electric (DC or AC) and hydraulic motors
- Available in custom versions

Standard Equipment

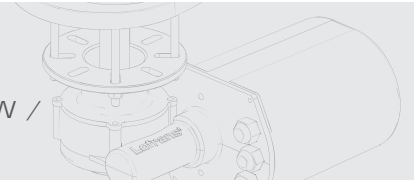
- Dual direction solenoid pack
- Handle
- Gypsy for chain
- QR code card for Instruction Manual

Please contact us for
additional detailed
documentation.

ERCOLE VERTICAL

Vertical Windlass

3500 W / 4000 W / 5500 W / 7500 W / Hydraulic - 11cc



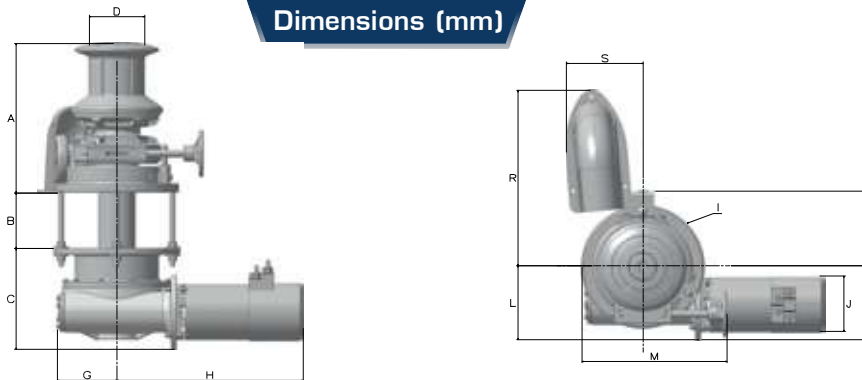
Construction	AISI 316L Stainless Steel				
Motor Size	3500 W	4000 W	5500 W	7500 W	Hydraulic - 11cc
Power Supply (V)	24	230-400	230-400	400	-
Maximum Pull (kg)	4500	5500	6500	7500	6500
Working load (kg)	1075	1310	1550	2000	1550
Amps at Working Load (A)	120	9 - 14	9 - 14	20 - 25	-
Line Speed at Working Load (m/min)	8	12	12	12	12
Max Line Speed (m/min)	15	12	12	12	12
Net Weight with Drum (kg)	180	180	200	225	165
Hydraulic Pressure (bar)	-	-	-	-	200
Hydraulic Flow (lt/min)	-	-	-	-	40

ERCOLE VERTICAL	Type**	Code	Code	Code	Code	Code	
With Drum	cw	14 mm	600080	600082	*	*	602523
		16 mm ISO 4565	600310	600367	600409	*	602525
		17,5 mm STUDLINK	*	*	30003	636078***	*
	ccw	14 mm	600081	600083	*	*	602524
		16 mm ISO 4565	600308	600363	600408	*	602526
		17,5 mm STUDLINK	*	*	30004	636079***	*

For additional options on compatible gypsies, please refer to page 84.
 If you are interested in an alternative configuration not listed above or any other special product, please contact our team.
 Product codes with * are available upon request.

** cw: the windlass pulls clockwise. ccw: the windlass pulls counter clockwise. *** Deck thickness 100mm

Dimensions (mm)



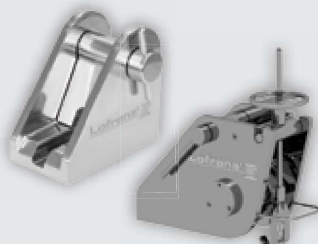
Model	A	B	C	D	G	H	I	J	L	M	N	P	R	S
3500 W	392	150	270	Ø150	160	502	Ø330	Ø158	205	420	195	205	min 490 - max 600	min 200 - max 230
4000 W						667								
5500 W						786								
7500 W														

* For Hydraulic version dimensions please see page 95.

Compatible Gypsies



Chain Stopper



Combine with

Kits

Code	Description
418428	KIT A - Seals
418475	KIT B - Screws
418499	KIT C - Pins
418556	KIT D - Circlips

Optional Accessories



Please refer to Deck Hardware & Accessories section for control and installation products (pages 76-89).