

X1

Vertical Windlass

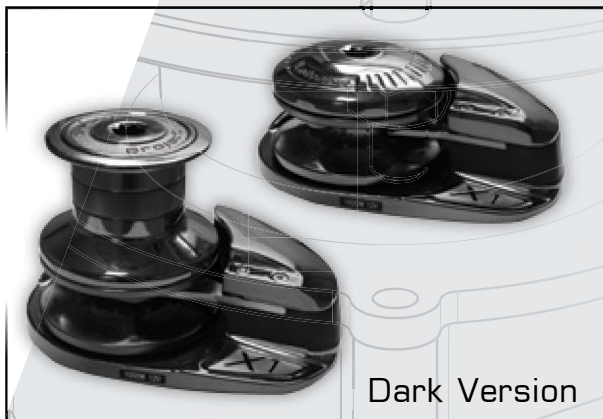
500 W / 800 W / 1000 W



Low Profile



With Drum



Dark Version

Main Features

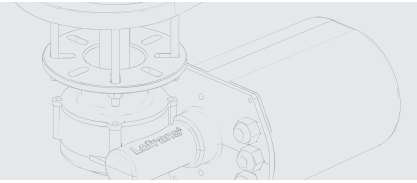
- Marine anodised aluminium & chrome plated construction
- With drum or low profile
- Independent gypsy and drum operation
- Rope and chain combination gypsy
- Manual chain release
- Chain & rope management by the spring loaded arm
- Chain counter magnet pre-installed as standard
- IP67 motor cover
- Marine anodised aluminium gearbox

Standard Equipment



- Dual direction solenoid pack
- Handle
- Gypsy for chain & rope
- QR code card for Instruction Manual

X1 Vertical Windlass



500 W / 800 W / 1000 W



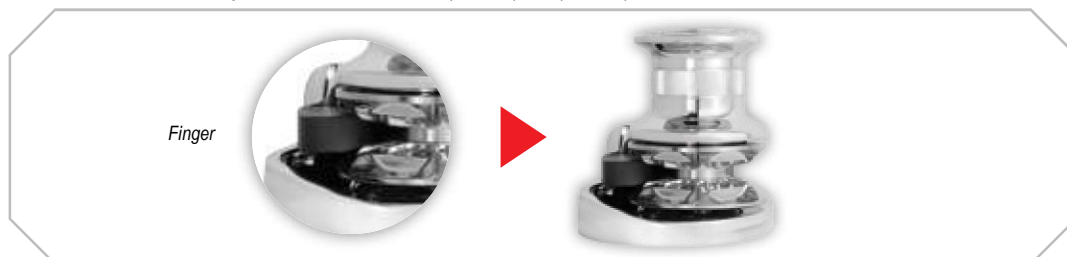
Construction		Anodised Aluminium		
Motor Size		500 W	800 W	1000 W
Power Supply (V)		12	12	12
Maximum Pull (kg)		630	700	900
Working Load (kg)		95	100	125
Amps at Working Load (A)		60	110	125
Line Speed at Working Load (m/min)		23	25	18
Max. Line Speed (m/min)		26	28	30
Net Weight Low Profile (kg)		10	13	16
Net Weight with Drum (kg)		11	14	17

X1			Code	Code	Code
With Drum	6 mm, ISO 4565 / DIN 766	10-12 mm, 3-strand	409558	602108	*
	8 mm, ISO 4565 / DIN 766	12 mm, 3-strand	600980	602109	*
Low Profile	6 mm, ISO 4565 / DIN 766	10-12 mm, 3-strand	409557	602106	*
	8 mm, ISO 4565 / DIN 766	12 mm, 3-strand	57449	602107	*

Construction		Chrome Plated		
Motor Size		500 W	800 W	1000 W
Power Supply (V)		12	12	12
Maximum Pull (kg)		630	700	900
Working Load (kg)		95	100	125
Amps at Working Load (A)		60	110	125
Line Speed at Working Load (m/min)		23	25	18
Max. Line Speed (m/min)		26	28	30
Net Weight Low Profile (kg)		11	13	16
Net Weight with Drum (kg)		12	14	17

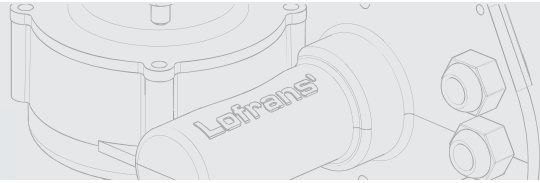
X1			Code	Code	Code
With Drum	6 mm, ISO 4565 / DIN 766	10-12 mm, 3-strand	472881	473207	*
	8 mm, ISO 4565 / DIN 766	12 mm, 3-strand	187270	473003	600092
Low Profile	6 mm, ISO 4565 / DIN 766	10-12 mm, 3-strand	472880	473217	*
	8 mm, ISO 4565 / DIN 766	12 mm, 3-strand	187269	473002	600093

For additional options on compatible gypsies, please refer to page 9.
 If you are interested in an alternative configuration not listed above or any other special product, please contact our team. Product codes with * are available upon request.



X1 Vertical Windlass

Dark Version





With Drum



Low Profile

Dark Version

Motor Size	500 W	800 W	1000 W		
Power Supply (V)	12	12	12		
Maximum Pull (kg)	630	700	900		
Working Load (kg)	95	100	125		
Amps at Working Load (A)	60	110	125		
Line Speed at Working Load (m/min)	23	25	18		
Max. Line Speed (m/min)	26	28	30		
Net Weight Low Profile (kg)	10	13	16		
Net Weight with Drum (kg)	11	14	17		
X1			Code	Code	Code
With Drum	8 mm, ISO 4565 / DIN 766	12 mm, 3-strand	*	636702	*
Low Profile	6 mm, ISO 4565 / DIN 766	10-12 mm, 3-strand	636206	636433	*
	8 mm, ISO 4565 / DIN 766	12 mm, 3-strand	636700	636432	636701

For additional options on compatible gypsies, please refer to the next page.

If you are interested in an alternative configuration not listed above or any other special product, please contact our team. Product codes with * are available upon request.



Lofrans' designed
marine anodised
aluminium gearbox

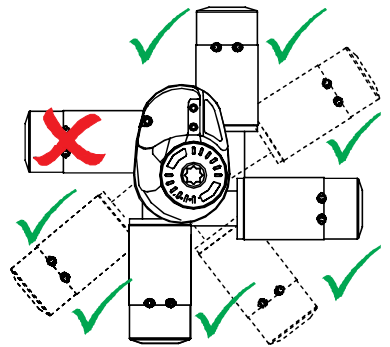
IP67
motor cover

X1 Vertical Windlass

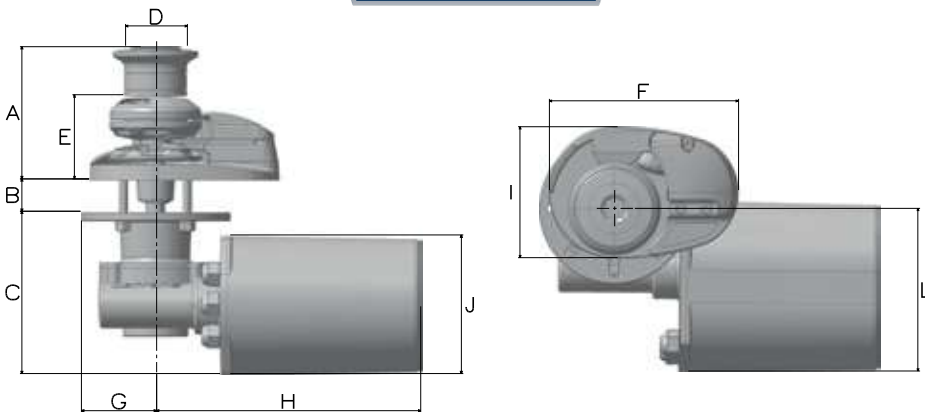
500 W / 800 W / 1000 W



Installation positions



Dimensions (mm)



Model	A	B	C	D	E*	F	G	H	I	J	L
500 W	130	10-30	111	Ø60	84	183	55	236	127	105	132
800 W	130	10-30	111	Ø60	84	183	55	236	127	105	132
1000 W	130	10-30	150	Ø60	84	183	55	256	127	134	165

*Low Profile height dimensions.

Combine with

Compatible Chains



Code	Chain Size	Pack (m)
72749	6 mm, ISO 4565 / DIN 766	30
72751	8 mm, ISO 4565 / DIN 766	30

More available packs
(see pages 87)

Compatible Gypsies



Code	Gypsy Size
630970	6 mm, ISO 4565 / DIN 766
630980	7 mm, ISO 4565 - 1/4" G40
630999	8 mm, ISO 4565 / DIN 766

Optional Accessories

- Foot Switch
- Control Switch
- Circuit Breaker
- Chain Counter
- Hand Held Control
- Radio Control



KEEP YOUR LOFRANS' AS GOOD AS NEW!



Maintenance Kit for X1

Code I 72037

Please refer to Deck Hardware & Accessories section for control and installation products (pages 76-89).