



MUIR SINCE 1968

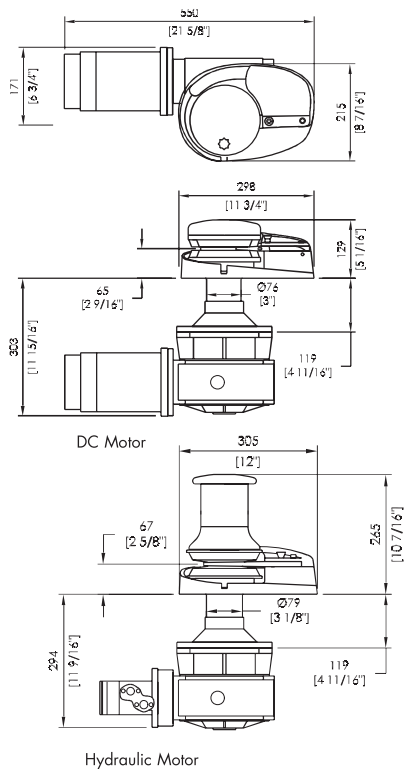
Storm 4000 **STAINLESS**



VR4000



VRC4000



Model	VR/VRC4000	
VESSEL LENGTH	18 - 26m 58 - 83ft	
POWER SUPPLY (DC)	24V	AC Electric available
MOTOR (Watts)	2000	
HYDRAULIC PRESSURE (bar/PSI)	200 2900PSI	
HYDRAULIC FLOW	22L/min 5.8gal/min	
MAX LOAD	1818kg 4000lb	
WORK LOAD	720kg 1584lb	
AMPS WORK LOAD	150/70	
MAX LINE SPEED	20m/min 66ft/min	
CHAIN SIZE	8 - 10 - 13mm 5/16 - 3/8 - 1/2"	
ROPE SIZE	14 - 16 - 19mm 9/16 - 5/8 - 3/4"	
NET WEIGHT	DC VR 54kg VRC 58kg HYD VR 50kg VRC 55kg DC VR 119lb VRC 119lb HYD VR 110lb VRC 121lb	
MANUAL OPERATION	MORS (std)	

Features

- Rope chain combination gypsy for rope and chain combination or chain only
- Quick release integrated swivel chain pipe cover
- Gypsy with capstan (VRC) or gypsy with low profile clutch top arrangement (VR)
- Heavy duty marine grade, dual direction motor in 12 & 24V DC, AC & Hydraulic
- Polished Stainless steel components
- Independent gypsy and tall capstan operation
- Capstan model features heavy duty fluted finish for increased grip
- Self aligning gearbox/adaptor
- Stainless steel shaft
- Cone clutch/brake
- Stainless steel mounting bolts
- Shaft seal
- Lubricating grease nipple
- Clutch release handle
- Rope Chain Management System (RCMS)
- Installation/Operation booklet



Options

- Manual Override System (MORS)
- Round base VR/VRC model (chain only)
- AC electric motor available
- Mirror image models available
- Traditional polished bronze finish
- Extra deck clearance kit for any deck thickness
- Full range of accessories including chain, rope, anchors, anchor roller, chain stoppers, snubber kits & devil claws
- Electric & hydraulic operating options & accessories
- Auto anchor



Round base
Muir Atlantic 4000