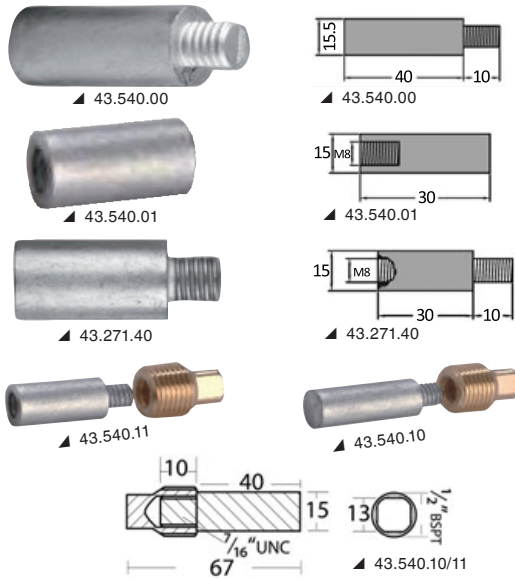
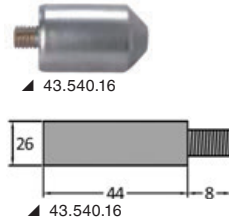


VOLVO anodes



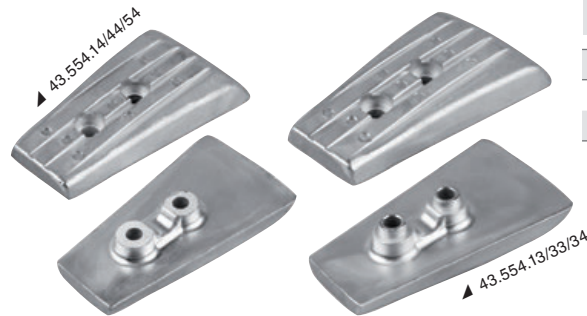
Anodes for heat exchangers/manifolds

Zinc	Zinc + brass	l mm	Orig. Ref.	Thread
43.540.00	-	Ø 15.5x40+10	800476	7/16"
43.540.01	-	Ø 15x30	838929	M8
43.271.40	-	Ø 15x30+10	838929	7/16"
-	43.540.10	67x15 Ø	43.540.00 + brass	1/2" BSPT
-	43.540.11	57x16 Ø	43.271.40 + brass	1/2" BSPT
43.540.16	-	Ø26x44	823661	3/8"



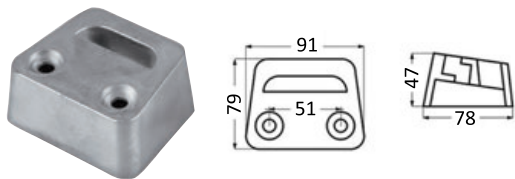
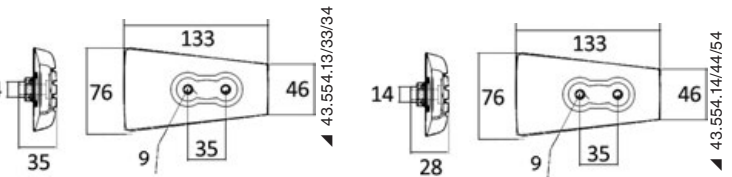
Duo Prop anode leg (also Cobra Omc anode leg)

Zinc	Aluminium	Magnesium	Original reference
43.554.11	43.554.09	43.554.10	3855411-2



Anode for Volvo Penta DP series

Zinc	Aluminium	Magnesium	Original reference
43.554.13	43.554.33	43.554.34	3588746/3588748/3588750
43.554.14	43.554.44	43.554.54	3589875/3589876



Volvo SX/DPS (also Cobra OMC leg)

Zinc	Aluminium	Magnesium	Original reference
43.541.30	43.541.31	43.541.32	3854130/3855610



Universal rod for anode legs 250/270/280

Aluminium	Magnesium	Original reference
43.550.01	43.550.02	832598-7



DPX anode legs

Aluminium	Magnesium	Original reference
43.549.15	43.549.25	873395-8