

# TASMAN SERIES

Drum winch **TASMAN-8** • **TASMAN-6**



**A new heavy duty winch has arrived:  
explore our TASMAN Series!**

## Features

- Robust, reliable, high performance Drum Winch
- Exceptional performance using Maxwell proven gearbox and motor
- Long life - Stainless steel (AISI 316) and Marine Anodised construction
- Easy install through separate legs and flexibility of motor positioning
- Simple emergency operation allows anchor deployment if power is lost
- Maxwell proprietary gearbox - custom ratio for optimised performance, direct fit to larger diameter shafts, large bearings and seals, robust design
- Proven Maxwell 1000W motor on the TASMAN 8 and 600W motor on TASMAN 6 series
- Large diameter high strength shaft - higher holding load and improved resistance to bending
- Large diameter plain bearings for a longer life, stronger and more robust in the harsh marine environment. Non gearbox end is self lubricated composite bearing for minimal maintenance
- MAX Warp - high strength combined with stretch for absorbing shock loads - optimised rope construction for maximum hold with enough stretch to minimise impact loads when anchored
- Engineered mounting design, optimised for strength, compact dimensions through integration with gearbox
- High quality marine galvanised chain

## STANDARD EQUIPMENT REQUIRED FOR DUAL DIRECTION CONTROL

- Dual Direction Solenoid (included)
- Up/Down remote control panel (included)
- Circuit breaker/isolator panel (included)

## OPTIONS

1. AutoAnchor™ Equipment
2. Foot Switches
3. Chain Stopper\*
4. Compact Remote
5. Roving remote



Tasman 8



**SP5107 24 VDC**  
(see page 359)



**P105093**  
**P105094**  
(see page 363)



**P102938**  
(see page 358)



**P100789**  
**P100790**  
**P100791**  
**P102903**  
(see page 359)

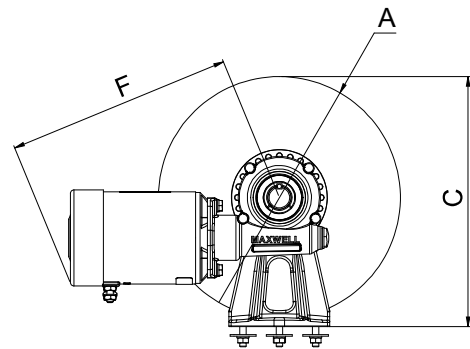
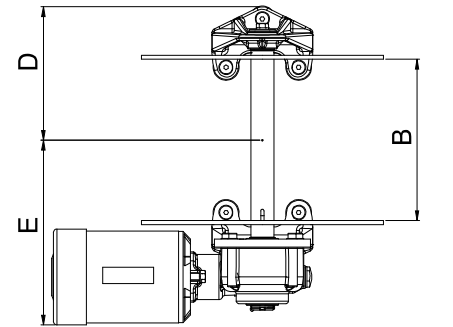
## Tasman winch, reel in true adventure

### SPECIFICATIONS

MODEL	6-6	6-4	8-8	8-6
Electric motor	DC	DC	DC	DC
Motor power	600 W	600 W	1000 W	1000 W
Voltage (DC)	12 or 24 VDC	12 or 24 VDC	12, 24 or 48 VDC	12, 24 or 48 VDC
<b>Max Pulling force</b>				
- 1 layer on drum	700 kg 1540 lbs	700 kg 1540 lbs	1000 kg 2200 lbs	1000 kg 2200 lbs
- Full drum	100 kg 220 lbs	100 kg 220 lbs	350 kg 770 lbs	350 kg 770 lbs
<b>Haulage Speed</b>				
- 1 layer on drum	7.5 m/min	13 m/min	13 m/min	13 m/min
- Full drum	50 m/min	50 m/min	60 m/min	60 m/min
<b>Rope size</b>				
	6 mm MAX warp x 70 m	4 mm UHMWPE x 100 m + 6 mm MAX warp x 10 m	8 mm MAX warp x 100 m	6 mm MAX warp x 150 m
<b>Chain size</b>				
	6 mm Short Link DIN766 x 10 m	6 mm Short Link DIN766 x 10 m	8 mm Short Link DIN766 x 10 m	6 mm Short Link DIN766 x 10 m
<b>Net weight (incl. rope/chain)</b>				
	24 kg	24 kg	37 kg	31 kg

### DIMENSIONS

MODEL	TASMAN 6		TASMAN 8	
	mm	inch	mm	inch
A	200	7 7/8	300	11 3/4
B	180	7 1/16	200	7 7/8
C	210	8 1/4	310	12 1/4
D	155	6 1/16	165	6 1/2
E	209	8 1/4	229	9
F	259	10 3/16	280	11



Tasman 6

**3 YEAR**  
Limited Warranty

