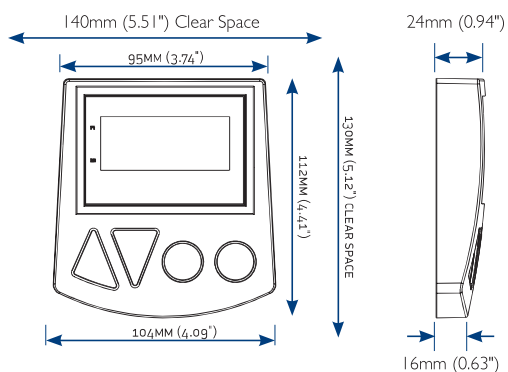


Chain counter AA560 / AA570

Controls the windlass from the helm station and shows at a glance how much anchor rode is deployed.

- "One touch" automatic function deploys and retrieves a preset length of anchor rode making anchoring easier and safer
- Docking alarm and preset stopping point help protect the boat during anchor retrieval
- Use with DC, AC and hydraulic windlasses
- Install up to 2 units or combine with the AA150, AA710 or AA300 series for multiple stations on the boat
- The new AA570 wireless panel-mount rode counter is a wireless version of the AA560

Dimensions



Specifications

POWER SUPPLY	CURRENT CONSUMPTION	TEMPERATURE RANGE	MAX. VOLTAGE	EMC PROTECTION/CE
12 OR 24V DC	70MA	-5 TO 60°C (23 TO 140°F)	30V DC	EN60994/5

AA560 Part No 66830015

Kit Includes:

- Console with sensor plug and fastening kit
- Grey sensor with 2m sensor cable and plug (Use for all-chain or rope/chain installations)
- 1 magnet (10mm x 8mm)
- Motor load sensor terminators (Use for rope/chain installations)
- Installation instructions and user manual

AA570 Part No 66830041

Kit Includes:

- Console with sensor plug and fastening kit
- Base Station (AA702A) with male sensor plug
- Grey sensor with 2m sensor cable and plug (Use for all-chain or rope/chain installations)
- 1 magnet (10mm x 8mm)
- Motor load sensor terminators (Use for rope/chain installations)
- Installation instructions and user manual

AA730 – Wired Remote control with LCD and chain counter

Part No: 66830040

Waterproof control for windlass or thruster with chain counter

- Full windlass control and chain counting
- Controls bow and/or stern thrusters
- 4 metres spiral cable
- Stowage on cradle
- Use with DC, AC and Hydraulic systems
- Operates in parallel with other control equipment eg toggle switches, foot switches and other electronic controllers.

Kit Includes:

One handheld console unit with cradle, one base station, a deck socket with 2m lead, a socket sealing cap, one sensor, 2 magnets, screws for the cradle and socket, installation and operation instructions.

