



**MUIR** SINCE 1968

# Storm VR/VRC2200

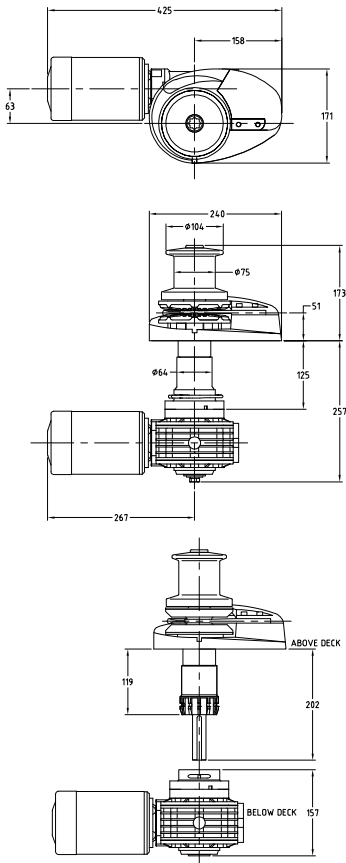
**STAINLESS**



VR2200



VRC2200



Model	VR/VRC2200
VESSEL LENGTH	<b>12 - 15m</b> 38 - 48ft
POWER SUPPLY (DC)	<b>12/24V</b>
MOTOR (Watts)	1200
HYDRAULIC PRESSURE	<b>10MPa</b> 1450PSI
HYDRAULIC FLOW	<b>15L/min</b> 4gal/min
MAX LOAD	<b>1000kg</b> 2200lb
WORK LOAD	<b>250kg</b> 550lb
AMPS WORK LOAD	120/75
MAX LINE SPEED	<b>15m/min</b> 50ft/min
CHAIN SIZE	<b>6 - 8 - 10mm</b> 1/4 - 5/16 - 3/8"
ROPE SIZE	<b>12 - 14 - 16mm</b> 1/2 - 9/16 - 5/8"
NET WEIGHT	<b>DC VR 23.5kg VRC 25kg HYD VR 22.5kg VRC 24kg</b> DC VR 52lb VRC 55lb HYD VR 50lb VRC 53lb
MANUAL OPERATION	<b>MOS</b> (opt)

## Features

- Polished stainless steel components
- Rope chain combination gypsy for rope and chain combination or chain only
- Rope Chain Management System (RCMS)
- Quick release integrated swivel chain pipe cover
- Gypsy with low profile clutch top arrangement
- Heavy duty marine grade, dual direction motor in 12V and 24V DC, Hydraulic
- Independent gypsy and capstan operation
- Capstan model features heavy duty knurled finish for increased grip
- Quick fit adaptor
- Stainless steel shaft
- Cone clutch/brake
- Stainless steel mounting bolts
- Shaft seal
- Self lubricating bush
- Clutch release handle
- Installation/Operation booklet



## Options

- Manual Operation System (MOS)
- Extra deck clearance kit for deck up to 150mm/6"
- Full range of accessories including chain, rope, anchors, anchor roller, chain stoppers, snubber kits and devil claws
- Electric and hydraulic operating options and accessories
- Auto anchor