

RC10

Vertical Rope/Chain Series RC10-8 • RC10-10



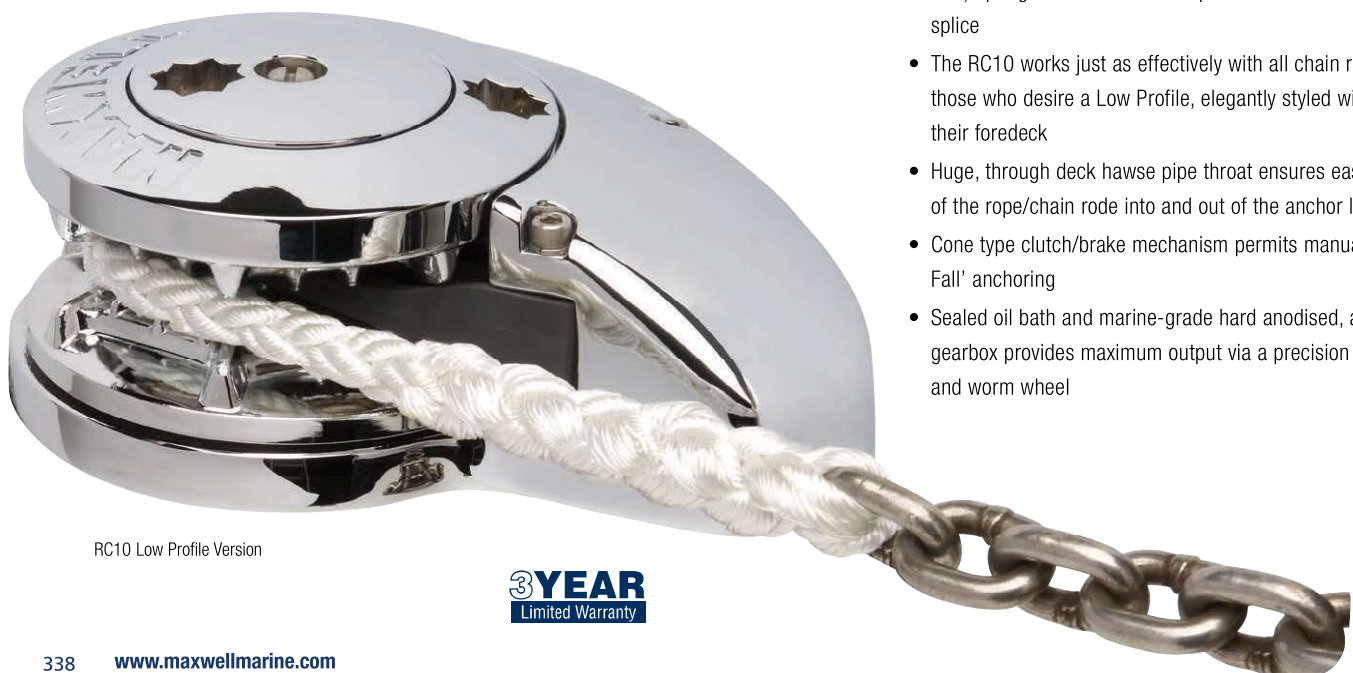
The stainless steel (AISI 316) RC10 Series of automatic rope/chain anchor winches are Maxwell's upper mid-range models in the highly successful RC Series Windlass Range.

Features and benefits

- The stainless steel (AISI 316) RC10-8 Series incorporates a chromed bronze chainwheel, designed to effortlessly retrieve and deploy 8 mm (5/16") chain spliced to 14 mm (9/16") or 16 mm (5/8") 8-braid (plait) rope
- The more powerful RC10-10 can be use with 10 mm (3/8") chain spliced to 16 mm (5/8") 8-braid (plait) rope
- A sleek, Low Profile version and a fluted stainless steel (AISI 316) capstan drum version, are available
- Simple two piece installation saves time and money and allows easy retrofitting without disassembly of the windlass. Unique spacer tube design allows installation through virtually any deck thickness and the multiple mounting positions and self aligning gearbox ensure optimal location of gearbox and motor in virtually all installation situations
- Full disassembly capability of the topworks utilising only the handle provided and an Allen key
- The RC10 is manufactured from marine-grade 316 stainless steel (AISI 316) and chromed bronze for long term durability. The heavy duty stainless steel (AISI 316) pressure arm, coupled with the unique rope/chain gypsy, is designed to effectively grasp the splice between rope and chain, giving the RC10 an unparalleled level of performance
- The Heavy Duty Stainless steel (AISI 316) pressure arm combined with a large wire diameter Stainless steel (AISI 316) spring ensures consistent pressure on the rode and splice
- The RC10 works just as effectively with all chain rodes for those who desire a Low Profile, elegantly styled windlass on their foredeck
- Huge, through deck hawse pipe throat ensures easy entry of the rope/chain rode into and out of the anchor locker
- Cone type clutch/brake mechanism permits manual, 'Free Fall' anchoring
- Sealed oil bath and marine-grade hard anodised, alloy gearbox provides maximum output via a precision worm and worm wheel



RC10 Capstan Version



RC10 Low Profile Version

3YEAR
Limited Warranty

SPECIFICATIONS

Model	RC10 (8 mm-5/16")	RC10 (10 mm-3/8")
Maximum Pull/Lift	700 kg 1540 lbs	850 kg 1870 lbs
Static Hold	1500 kg 3300 lbs	1500 kg 3300 lbs
Chain Short Link	8 mm 5/16"	10 mm 3/8"
Rope Size (Nylon)* (8 plait recommended)	14 mm - 16 mm 9/16" - 5/8"	16 mm 5/8"
Chain Speed (Normal Working load)	24 m/min 79 ft/min	24 m/min 79 ft/min
Rope Speed (Normal Working load)	20 m/min 65 ft/min	20 m/min 65 ft/min
Power Supply (DC)	12, 24 or 48 VDC	12, 24 or 48 VDC
Motor (Watt)	1000 W	1200 W
Net Weight	19 kg 42 lbs	20 kg 44 lbs
Hydraulic Pressure	138 bar 2000 PSI	138 bar 2000 PSI
Hydraulic Flow	20 l/min 5.3 USgal/min	20 l/min 5.3 USgal/min
Net Weight - Hydraulic	14 kg/ 42 lbs 26 kg/ 57 lbs	14 kg/ 42 lbs 26 kg/ 57 lbs

* refer to owners manual for rope size variations.

DIMENSIONS

Model	RC10 (8 mm-5/16")	RC10 (10 mm-3/8")
A	230 mm 9 1/8"	230 mm 9 1/8"
B1	89 mm 3 1/2"	89 mm 3 1/2"
B2 (with capstan)	168 mm 6 5/8"	168 mm 6 5/8"
C	170 mm 6 3/4"	170 mm 6 3/4"
D	251 mm 10"	251 mm 10"
E	272 mm 10 3/4"	272 mm 10 3/4"
F	424 mm 16 3/4"	424 mm 16 3/4"
G (Std deck clearance) ^	100 mm 4"	100 mm 4"
H	43 mm 1 3/4"	43 mm 1 3/4"
I	66 mm 2 5/8"	66 mm 2 5/8"
J	44 mm 1 3/4"	44 mm 1 3/4"

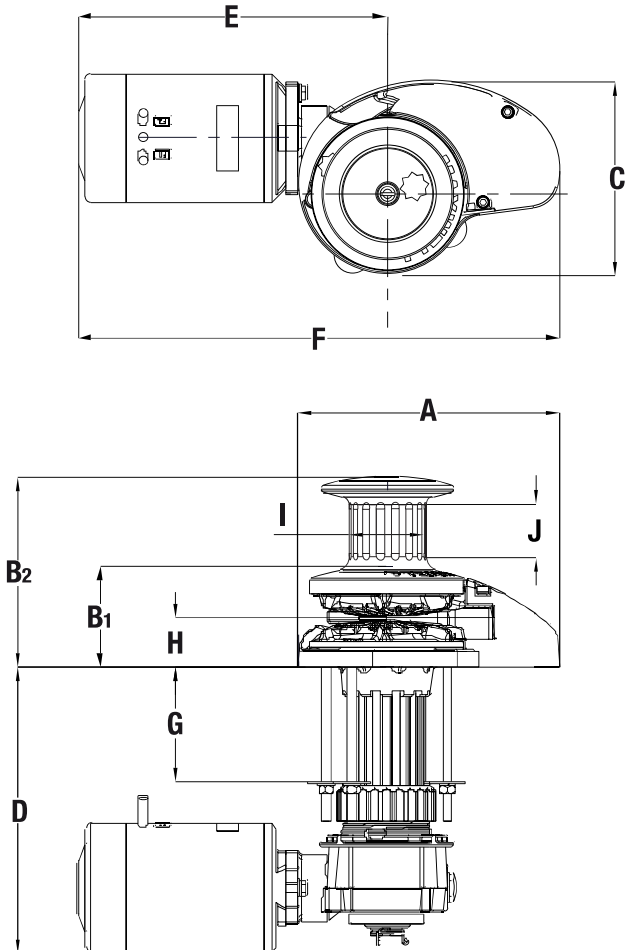
^ extra deck clearance models available. Contact your Maxwell dealer.

HEIGHT MATCHED CHAIN STOPPER

- For use with Maxwell's rope/chain vertical windlasses
- Height adjusted to most effectively align chain with the chainwheel
- No height adjustment plinth required
- Refer to page 363 for more information



Height Matched Chain Stopper



Important: Maxwell windlasses must be used in conjunction with a chain stopper or alternative snubbing device to take the load off the windlass while laying at anchor. The chain stopper and alternative snubbing system should also be used to secure the anchor in the fully raised position while under way.

STANDARD EQUIPMENT REQUIRED FOR DUAL DIRECTION CONTROL

Dual Direction Solenoid (included)
Emergency crank/clutch release handle lever (included)
Up/Down remote control panel (not included)
Circuit breaker/isolator panel (not included)

OPTIONS

1. AutoAnchor™ Equipment
2. Compact Remote
3. Foot Switches
4. Chain Stopper
5. Chain Snubber
6. Capstan model

Every Maxwell RC10 automatic rope/chain windlass comes with top works, motor/gear box and dual direction solenoid. Switches and circuit breaker are available and need to be ordered separately. Refer chart on page 368.

