

## Telescopic servo-assisted gangways/davits

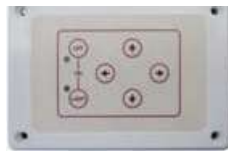


▲ Gangway electronic control unit

### BRIDGE telescopic hydraulic gangways with mirror-polished AISI 316 stainless steel structure

- Automatically foldable stanchions to be mounted on both sides of the gangway.
- Real TEAK BORMA grating.
- Electronic control unit with simple "PLUG & PLAY" wiring.
- Possibility to modify the gangway fulcrum position for an optimal positioning of the lifting piston.
- The 12- or 24-volt gangway (to be specified) is equipped with:
  - Hydraulic control unit with electrovalve
  - High-pressure hydraulic piping with AISI 316 S.S. fittings
  - Electronic control unit
  - Built-in control panel
  - Radio remote control
  - Stanchions
  - Stern plate
  - Instructions for installation and use.

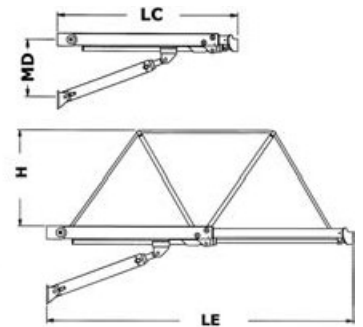
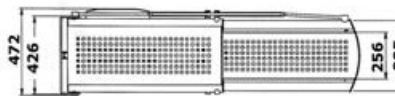
Version	LE mm	LC mm	MD minimum	H mm	Lifting capacity kg	kg	12 volt	24 volt
Bridge 20	2000	1200	300	800	200	60	42.620.01	42.620.51
Bridge 23	2300	1360	300	800	200	64	42.620.03	42.620.53
Bridge 27	2700	1575	300	800	200	71	42.620.05	42.620.55
Bridge 30	3000	1735	320	800	150	75	42.620.07	42.620.57



▲ Built-in control panel



▲ Radio remote control



## SUP board holders

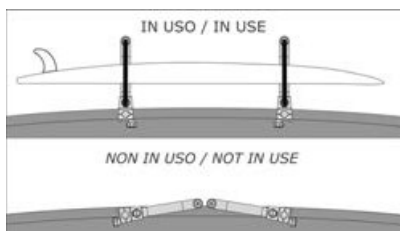


### SUP board or gangplank holder kit made of stainless steel

This kit fastens the SUP board or the gangplank out of board. To be mounted to the railing by means of 360° adjustable clamps. The quick release knob allows for each arm to be rotated immediately when not in use or to adjust to a smaller angle in case of narrower SUP boards or gangplanks. Each arm is fitted with an HD foam PVC chafe guard as well as adjustable and removable straps.

**Standard version:** for 22- to 30-mm diameter tubes with plastic accessories.  
**Deluxe version:** for 20- to 28-mm diameter tubes with AISI316 stainless steel accessories.

Code	Version	dimensions mm	For tube Ø mm
42.365.00	Delux	230 x 115	20/28
42.365.10	Standard	230 x 115	22/30



## SUP board kit

NEW UNIVERSAL KIT TO FIX THE TABLE OR GANGPLANK OUT OF BOARD

